

IES-0005B-41

5 10/100TX IP41 rated Industrial Switch

- EN45545-2 Fire & Smoke, EN50155 and EN61373 shock/vibration certified; E-mark certificate
- Provides M12 connector with IP41 rated protection
- Wide Operating Temperature from -40°C to 75°C
- Wide range redundant power inputs



OVERVIEW

Lantech IES-0005B-41 is a 5 10/100 Base-TX with M12-connector unmanaged industrial switch for IP41 rated protection, which meets the high reliability requirements demanded by industrial rolling stock applications.

The IES-0005B-41 is designed to meet with critical network environment with IP41 enclosure and M12 connectors for protection against dust and water. It has passed harsh environmental testing to comply with Industrial EMI and Safety

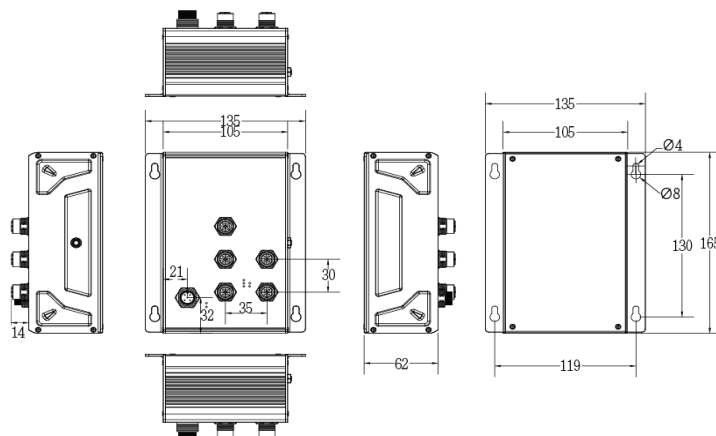
standards as well as stability testing such as Free fall, Shock, and Vibration. For a greater flexibility in application the IES-0005B-41 supports an extended operating temperature range from -40°C to 75°C.

The IES-0005B-41-12V accepts 9.5~60V DC input while 72V model accepts 50.4~90V DC input. With EN45545-2 Fire & Smoke, EN50155 certification and E-mark certificate, the IES-0005B-41 is best for railway and vehicle applications.

FEATURES & BENEFITS

- 5 10/100TX Unmanaged Industrial Switch with M12 connectors and IP41 rated protection
- Dual Power Design with wide DC9.5~60V input (12V model)
- Dual Power Design with wide DC50.4~90V input (72V model)
- Back-plane (Switching Fabric): 1.0 Gbps
- 8K MAC address table
- Wide Operating Temperature (-40°C ~75°C)
- Din rail** and wall mount design
- E-mark certificate for vehicle
- EN45545-2 Fire & Smoke, EN50155 and EN61373 shock/vibration certified

DIMENSIONS (unit=mm)



SPECIFICATIONS

Hardware Specification	
IEEE Standard	IEEE802.3 10BASE-T Ethernet IEEE802.3u 100BASE-T Ethernet IEEE802.3x Flow Control and Back Pressure
Transfer Rate	14,880pps for Ethernet port 148,800pps for Fast Ethernet port
Mac Address	8K MAC address table
Connector	10/100T: 5 x M12, 4-pole D-coded, Female with auto MDI/MDI-X function Power connector: 1 x M12, 5-pole A-coded, Male
Protocol	CSMA/CD
LED	Per unit: Power 1 (Green), Power 2 (Green), Ethernet: Link/Activity (Green)
Power Supply	Dual power input 9.5~60VDC (12V model) Dual power input 50.4~90VDC (72V model)
Power Consumption	6Watts
Operating Humidity	5% to 95% (Non-condensing)
Operating Temperature	-40°C ~ 75°C (-40°F ~ 167°F)
Storage Temperature	-40°C ~ 85°C (-40°F ~ 185°F)
Case Dimension	Aluminum case, IP-41
	135mm(W)x165mm(H)x62mm(D)
Weight	700g
Installation	Din Rail**, Wall Mount Design
EMC	FCC Class A, CE EN61000-4-2 (ESD), CE EN61000-4-3 (RS), CE EN-61000-4-4 (EFT), CE EN61000-4-5 (Surge), CE EN61000-4-6 (CS), CE EN61000-4-8 (Magnetic Field), CE EN61000-6-2, CE EN61000-6-4
Stability Testing	IEC61373 (Shock), EN61373 (Shock and Vibration)
Certificates & Report	EN50155/EN50121-3-2/EN50121-4 Certificate EN45545-2 R24/R25 (EN ISO 4589-2, EN ISO 5659-2, NF X70-100-1 & 2) Fire & Smoke Certificate E-mark certificate
Warranty	5 years

**Optional

ORDERING INFORMATION

All model packages include M12 caps and wall mount bracket. All standard models are non-coating, optional coating models are available with -C model name.

- **IES-0005B-41-12V.....P/N: 8360-5722**
5 10/100TX IP41 rated Industrial Switch w/M12 connectors; dual 12~48V input; -40~75C
- **IES-0005B-41-72V.....P/N: 8360-5723**
5 10/100TX IP41 rated Industrial Switch w/M12 connectors; dual 72V input; -40~75C

OPTIONAL ACCESSORIES

M23 / M12 Connector & Cable

- **ECON120005PF** 5 Pin M12 Power Female Connector
- **ECONM12-5P(F)70CM CABLE** 5 Pin M12 Power Female 90C angle Connector+ 70 CM Cable
- **ECAB124030MJS** 4 Pin M12 RJ45 Male 3 Meters; STP Cable

Lantech Communications Global Inc.

www.lantechcom.tw
info@lantechcom.tw

© 2015 Copyright Lantech Communications Global Inc. all rights reserved.
The revise authority rights of product specifications belong to Lantech Communications Global Inc.
Lantech may make changes to specification and product descriptions at anytime, without notice.