

IPES-0208T (IP67/IP43)

8 10/100TX PoE at/af + 2 GigaT Industrial Switch

- EN50155/ E-mark certified
- Provides M12 connector with IP67 / IP43 rated protection
- IEEE802.3at/af up to 30W PoE output
- 12V power input boost to 48V output
- Optional 72V/110V input steps down to 48V output for IEEE 802.3at/af max.80W
- Wide Operating Temperature from -40°C to 75°C
- Wide range dual power inputs



IP67 model



IP43 model

OVERVIEW

Lantech IPES-0208T (IP67/IP43) is an 8 10/100 Base-TX + 2 GigaT w/8 PoE at/af injectors M12-connector unmanaged industrial switch for IP67 or IP43 rated protection, which meets the high reliability requirements demanded by industrial rolling stock applications.

The IPES-0208T (IP67/IP43) supports IEEE802.3at/af standard which can feed HI-power up to 30W at each PoE port for big power consumption devices like PTZ IP camera, High power wireless AP etc. The IPES-0208T is able to take 12/24V input and boost to 48V output for PoE feeding in vehicle use with IEEE802.3at/af standard up to 30W per PoE port with maximum 80W output. 72V/110V input model can feed 48V PoE at max 80W.

The IPES-0208T (IP67/IP43) is designed to meet with critical network environment with IP67/43 enclosure and M12 connectors for protection against dust and water. IP67 model can be immersed 1 meter under water for 30 minutes long, so it is the best to place in the highly damp and moisture area in the train, vehicle or rail-side. Both have passed harsh environmental testing to comply with Industrial EMI and Safety standards as well as stability testing such as Free fall, Shock, and Vibration. For a greater flexibility in application the IPES-0208T (IP67/IP43) supports an extended operating temperature range from -40°C to 75°C.

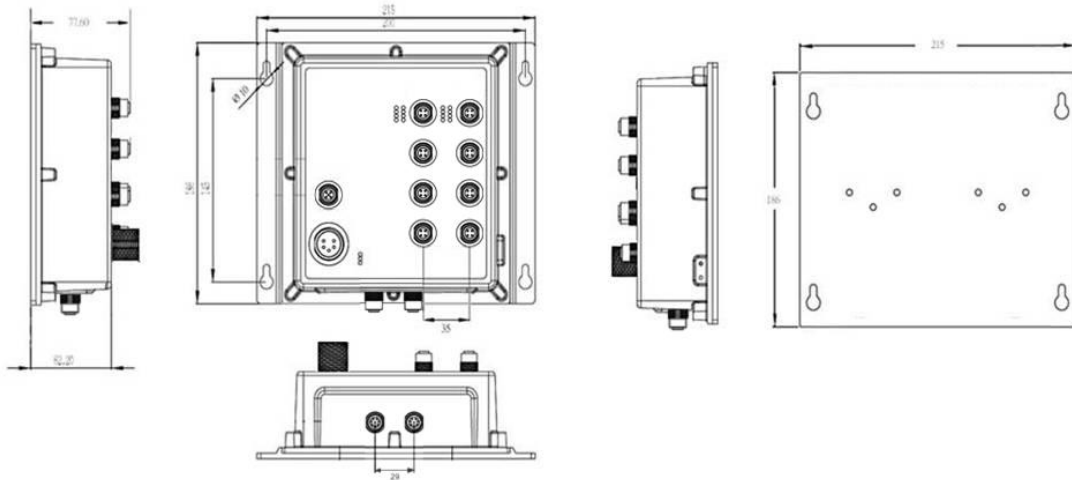
With EN45545-2 Fire & Smoke, E-mark, and EN50155 certification, the IPES-0208T (IP67/IP43) is best for railway and vehicle applications.

FEATURES & BENEFITS

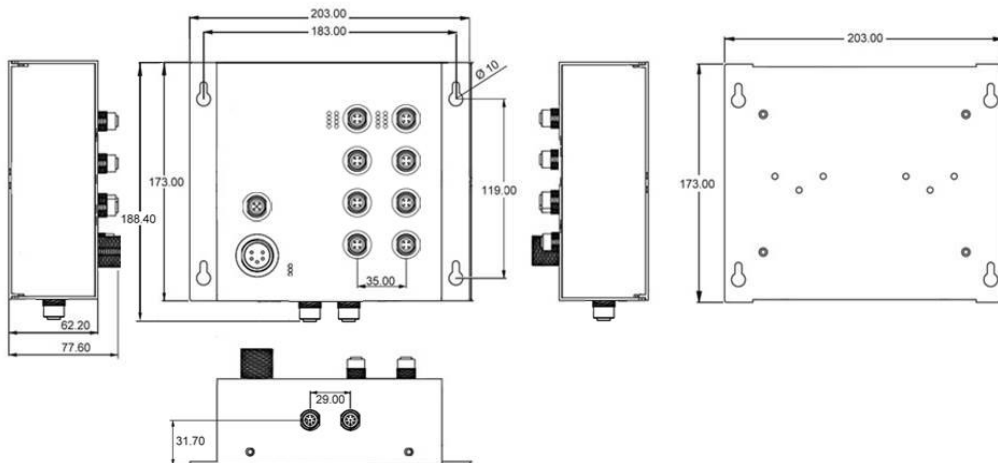
- 8 10/100TX + 2 GigaT Unmanaged Industrial Switch with 8 PoE at/af M12 connectors in IP67/43 rated protection
- Supports IEEE802.3at/af feeding power up to 30W per PoE port at 12/24/48VDC
- Accept input voltage 12V and boost to 48V for PoE 802.3at/af maximum 80W output
- Dual Power Design with wide DC12/24/48V
- Back-plane (Switching Fabric): 5.6 Gbps
- 8K MAC address table
- Wide Operating Temperature (-40°C ~75°C)
- Din rail** and wall mount design
- EN45545-2 Fire & Smoke, E-mark, EN50155 and EN61373 shock/vibration certified
- Optional 72V model can accept dual 72V power input and feed 48V for PoE at/af at max 80W
- Optional 110V model can accept dual 110V power input and feed 48V for PoE at/af at max 80W

DIMENSIONS (unit=mm)

IP67 model



IP43 model



SPECIFICATIONS

Hardware Specification		PoE pin assignment
IEEE Standard	IEEE802.3 10BASE-T Ethernet IEEE802.3u 100BASE-T Ethernet IEEE802.3ab 1000Base-T Ethernet IEEE802.3x Flow Control and Back Pressure IEEE802.3at/af Power over Ethernet	M12 port # 1~#8 support IEEE 802.3at/af End-point, Alternative A mode. Per port provides 30W PoE at/ 15W PoE af.
Transfer Rate	14,880pps for Ethernet port 148,800pps for Fast Ethernet port 1,488,000pps for Gigabit Ethernet port	
Mac Address	8K MAC address table	Power Supply
Connector	10/100T: 8 x M12, 4-pole D-coded, Female with auto MDI/MDI-X function Power connector: 1 x M23, 5-pole A-coded, Male Relay contact : 1 x M12 5-pole A-coded	9.5~56VDC on standard model 50.4~90VDC on 72V model 43~160VDC on 110V model with input isolation
Protocol	CSMA/CD	Power Consumption
LED	Per unit: Power 1 (Green), Power 2 (Green), Ethernet: Link/Activity (Green)	10W for 12/24/48VDC 13.5W for 72/110VDC
		Power Budget
		240W for 45~56V input (55V input is recommended for 802.3at 30W applications) 80W for 12V input 120W for 24V input 80W for 72V Input

	80W for 110V Input		CE EN61000-4-6 (CS), CE EN61000-4-8 (Magnetic Field), CE EN61000-6-2, CE EN61000-6-4
Operating Humidity	5% to 95% (Non-condensing)		
Operating Temperature	-40°C ~ 75°C (-40°F ~ 167°F) (72/110V model: -40°C~60°C / -40°F~140°F)		
Storage Temperature	-40°C ~ 85°C (-40°F ~ 185°F)	Stability Testing	IEC61373 (Shock), EN61373 (Shock and Vibration)
Case Dimension	Aluminum case, IP-67, 215mm(W)x185mm(H)x71mm(D) Aluminum case, IP-43 202mm(W)x172mm(H)x62.5mm(D)	Certificates & Report	EN50155/EN50121-3-2/EN50121-4 Certificate EN45545-2 R24/R25 (EN ISO 4589-2, EN ISO 5659-2, NF X70-100-1 & 2) Fire & Smoke Certificate E-Mark E4 Certificate
Weight	1.4kgs (IP67); 1.2kgs(IP43)	Warranty	5 years
Installation	Din Rail**, Wall Mount Design		
EMC	FCC Class A, CE EN61000-4-2 (ESD), CE EN61000-4-3 (RS), CE EN-61000-4-4 (EFT), CE EN61000-4-5 (Surge),		

*Pending
**Optional

ORDERING INFORMATION

All model packages include M12 caps and wall mount bracket. All standard models are non-coating, optional coating models are available with -C model name.

- **IPES-0208T-67-12V.....P/N: 8360-555**
8 10/100TX + 2 GigaT IP67 rated 8 PoE at/af Switch w/M12 connectors; -40~75C; dual 9.5~56VDC
- **IPES-0208T-43-12V.....P/N: 8360-5551**
8 10/100TX + 2 GigaT IP43 rated 8 PoE at/af Switch w/M12 connectors; -40~75C; dual 9.5~56VDC
- **IPES-0208T-67-72V.....P/N: 8360-557**
8 10/100TX + 2 GigaT IP67 rated 8 PoE at/af Switch w/M12 connectors; -40~60C; dual 50.4~90VDC
- **IPES-0208T-43-72V.....P/N: 8360-5571**
8 10/100TX + 2 GigaT IP43 rated 8 PoE at/af Switch w/M12 connectors; -40~60C; dual 50.4~90VDC
- **IPES-0208T-67-110V.....P/N: 8360-549**
8 10/100TX + 2 GigaT IP67 rated 8 PoE at/af Switch w/M12 connectors; -40~60C; dual 43~160VDC
- **IPES-0208T-43-110V.....P/N: 8360-5491**
8 10/100TX + 2 GigaT IP43 rated 8 PoE at/af Switch w/M12 connectors; -40~60C; dual 43~160VDC

OPTIONAL ACCESSORIES

M12 / M23 Connector & Cable

- **ECON230005PF** 5 Pin M23 Power Female Connector
- **ECONM23-5P(F)70CM CABLE** 5 Pin M23 Power Female 90C angle Connector+ 70 CM Cable
- **ECAB124030MJS** 4 Pin M12 RJ45 Male 3 Meters; STP Cable

Lantech Communications Global Inc.

www.lantechcom.tw
info@lantechcom.tw

© 2013 Copyright Lantech Communications Global Inc. all rights reserved.
The revise authority rights of product specifications belong to Lantech Communications Global Inc.
Lantech may make changes to specification and product descriptions at anytime, without notice.