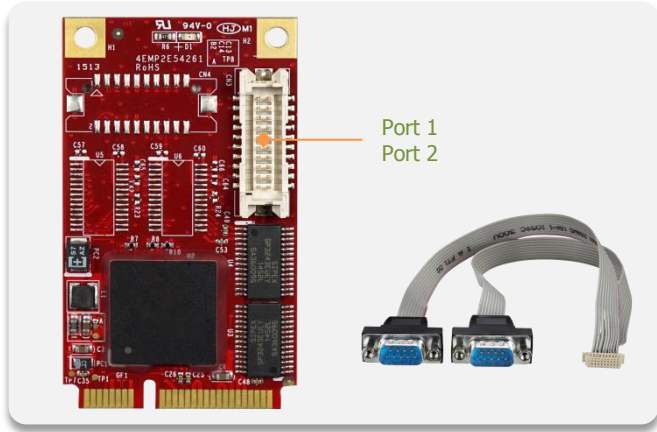


EMP2-X203

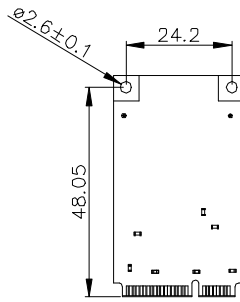
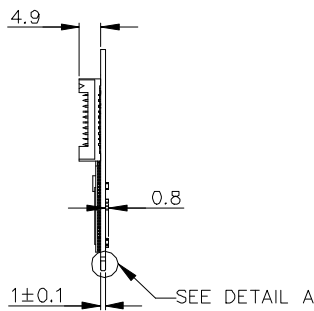
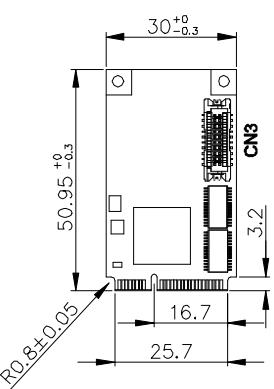
mPCIe to two RS-232 Module



Features

- PCI-Express specification Rev. 2.0 compliant
- Up to 1 Mbps serial data rate. 16550 compatible. 256-byte FIFOs
- Industrial temperature(-40 °C to 85 °C) operation
- Flexible design with DB-9 connectors and cable
- ESD up to 15KV(Electrostatic Discharge) protection circuit to prevent system damage
- Supports CTS/RTS hardware flow control
- 30μ " golden finger, 3 years warranty
- Industrial design, manufactured in innodisk Taiwan

Mechanical Drawing



TOLERANCE: ±0.20 mm

RS232 Pin Assignment

Signal	Pin
CD	1
RXD	2
TXD	3
DTR	4
GND	5
DSR	6
RTS	7
CTS	8
RI	9

Specifications

Headquarters (Taiwan)
5F., No.237, Sec. 1, Datong Rd.,
Xizhi Dist., New Taipei City 221,
Taiwan

Tel: +886-2-7703-3000
Email: sales@innodisk.com

Branch Offices:

USA
usasales@innodisk.com
+1-510-770-9421

Europe
esusales@innodisk.com
+31-040-282-1818

Japan
jpsales@innodisk.com
+81-45-594-7581

China
sales_cn@innodisk.com
+86-755-21673689

www.innodisk.com

© 2015 Innodisk Corporation.
All right reserved. Specifications
are subject to change without
prior notice.

January 27, 2016

Form-Factor	mPCIe
Input I/F	PCI Express 2.0 x 1
Output I/F	RS-232
Output Connector	DB-9 x 2
TDP	0.45W (3.3V x 135mA)
Dimension (WxLxH)	30 x 50.9 x 6.7 mm
Temperature	Operation: W/T: -40°C ~ +85°C Storage: -55°C ~ +95°C
Environment	Vibration: 5G @7~2000Hz, Shock: 50G @ 0.5ms
Notes	Please download driver from MyInnodisk website. Windows: XP(32 bit), 7(32/64 bit), 8/8.1(32/64 bit), 10, WES7, CE7.0 Linux: Kernel 2.6.x and above.(We can provide Linux source for modification.)

Order information

EMP2-X203-W1(Wide Temp.)
mPCIe to two RS232 Module