

# TANK-801-BT

- Intel® Celeron® J1900 2 GHz, 10W
- Versatile 3 different backplane types

**New**

## Features

- ◆ Intel® Celeron® J1900 2 GHz, 10W
- ◆ 16-bit digital I/O, 8-bit input/8-bit output
- ◆ 1 x DVI-I, 1 x DisplayPort
- ◆ Various expansion type:
  - 3A: One PCIe x1 + Two x PCI
  - 3B: Two PCIe x1 + One x PCI
  - 3C: Three x PCI
- ◆ Dual DC power input



## Enhanced Visual Experience



Support Intel® Virtualization Technology



Automation

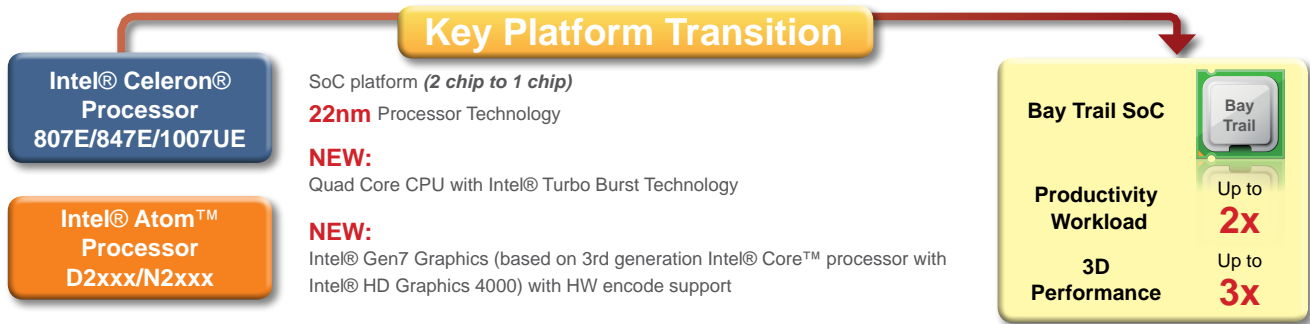


Video HD Technology  
Spectacular HD Playback

## Intel® Bay Trail Solution

Intel® Bay-Trail SoC (system on chip) integrates with CPU and graphics. With the Gen 7 graphics and the DX11 and full HD support, the TANK-801-BT is a good solution for visual application.

### ■ Intel® Bay Trail Platform Transition



### ■ Intel® Bay Trail Graphics and Media Features

3D Graphics	DX11.1, OGL 4.0, OGL ES 2.0, OVG 1.1
Video Decode	H.264, MPEG2, MPEG4, VC1/WMV9, VP8 up to 1080p decode
Video Encode	H.264, MPEG2

## Diversify Expansion Interface

The TANK-801 series has three different expansion options on PCI and PCIe slot selection. Users can choose the suitable model for their application.

Backplane	TANK-801	
	Slot type	Signal
HPE-3S6 (2P1E)	PCI	PCI
	PCIe x16	PCIe x16
HPE-3S7 (1P2E)	PCI	PCI
	PCIe x4	PCIe x1
	PCIe x16	PCIe x1
HPE-3PCI	PCI	PCI

## Easy of Installation

Users can easily install SO-DIMM, PCIe Mini cards and expansion cards by removing the TANK-801's top cover. A 2.5" SATA HDD/SSD bay is located on the top cover, which is very convenient for users to maintain the system.



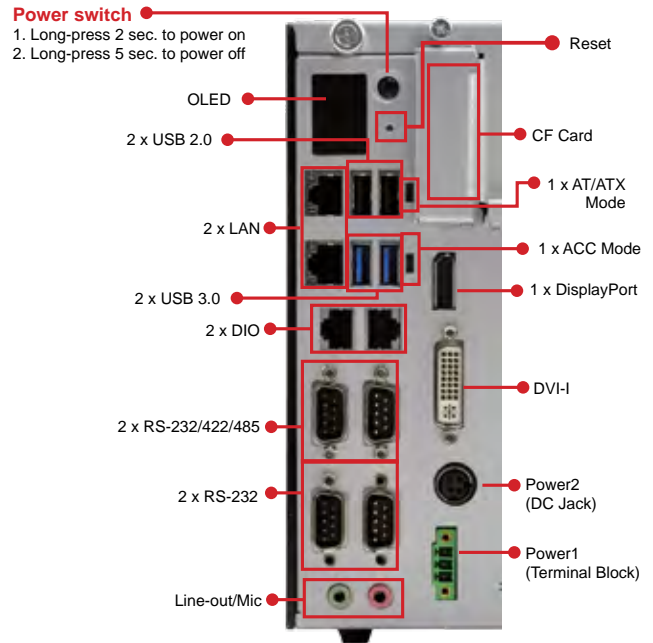
2 x 2.5" SATA 6Gb/s  
HDD/SSD bay

1 Industrial Computing Solutions  
2 Video Capture Solutions  
3 Embedded Computing Solutions  
4 ORing Network Communication  
5 Power Supply/Peripherals  
6 Panel Solutions Introduction

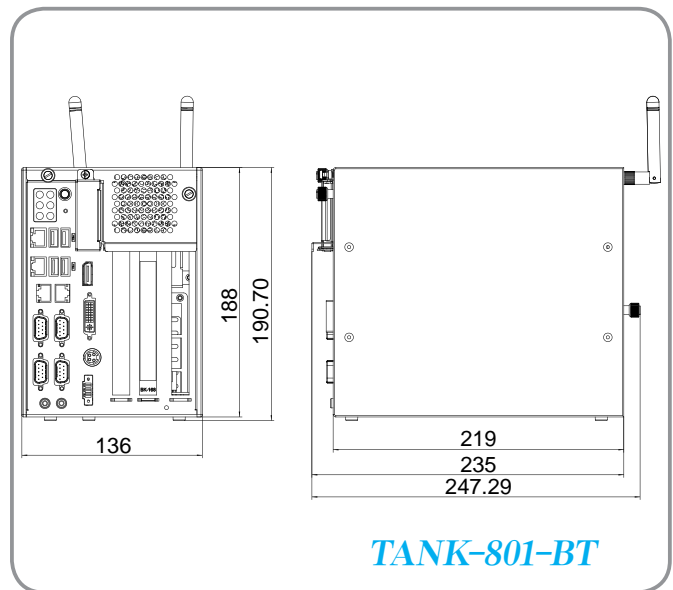
## Specifications

Model Name	TANK-801-BT		
Chassis	Color	Black C + Silver	
	Dimensions (WxDxH) (mm)	136 x 219 x 188	
	System Fan	Fanless	
	Chassis Construction	Extruded aluminum alloys	
Motherboard	Processor CPU	Intel® Celeron® J1900 2 GHz	
	Chipset	SoC	
	System Memory	One 204-pin DDR3L 1.35V SO-DIMM 2 GB pre-installed (system max: 8G)	
IPMI	iRIS Solution	iRIS-2400	
Storage	Hard Drive	1 x 2.5" SATA 3Gb/s HDD/SSD bay	
	CF Card/CFast	1 x CFast	
I/O Interfaces	USB 3.0	2	
	USB 2.0	2	
	Ethernet	2 x RJ-45 1 x PCIe GbE by Intel® I210 1 x PCIe GbE by Intel® I211	
	RS-232	2 x DB-9	
	RS-422/485	2 x DB-9 RS-232/422/485 with isolation	
	Digital I/O	16-bit digital I/O, 8-bit input/8-bit output	
	Display	1 x DisplayPort, 1 x DVI-I	
	Resolution	DisplayPort: Up to 2560 x 1600 MHz DVI-I: Up to 2560 x 1600 MHz	
	Audio	1 x Line-out, 1 x Mic-in	
	Wireless	802.11b/g/n 2T2R (optional)	
	Expansions	PCI/PCIe	3A: One PCIe x1 + Two x PCI 3B: Two PCIe x1 + One x PCI 3C: Three x PCI
		PCIe Mini	1 x Full size
Power	Power Input	Terminal Block: 9 V~36 V DC DC Jack: 9 V~36 V DC	
	Power Consumption	19 V@1.8 A (Intel® Celeron® J1900 with 2 GB DDR3 memory)	
Reliability	Mounting	Wall mount	
	Operating Temperature	-20°C ~ 70°C with air flow (SSD), 5% ~ 95%, non-condensing	
	Operating Shock	Half-sine wave shock 5G, 11ms, 3 shocks per axis	
	Operating Vibration	MIL-STD-810F 514.5C-2 (with SSD)	
	Weight (Net/Gross)	2.8 kg/4.3 kg	
	Safety/EMC	CE/FCC	
OS	Supported OS	Microsoft® Windows® 8 Embedded, Microsoft® Windows® Embedded Standard 7 E	

## Fully Integrated I/O



## Dimensions (Unit: mm)



## Ordering information

Part No.	Description
TANK-801-BTi-J1/2G/3A-R10	Fanless embedded system with two PCI and one PCIe x 1 expansion, Intel® Bay-Trail J1900 2 GHz, TDP 10W, 2GB DDR3L pre-installed memory, 1 x DVI-I, 1 x DisplayPort, iRIS-2400 optional, 9 V~36 V DC, R10, RoHS
TANK-801-BTi-J1/2G/3B-R10	Fanless embedded system with one PCI and two PCIe x 1 expansion, Intel® Bay-Trail J1900 2 GHz, TDP 10W, 2GB DDR3L pre-installed memory, 1 x DVI-I, 1 x DisplayPort, iRIS-2400 optional, 9 V~36 V DC, R10, RoHS
TANK-801-BTi-J1/2G/3C-R10	Fanless embedded system with three PCI expansion, Intel® Bay-Trail J1900 2 GHz, TDP 10W, 2 GB DDR3L pre-installed memory, 1 x DVI-I, 1 x DisplayPort, iRIS-2400 optional, 9 V~36 V DC, R10, RoHS

## Options

Item	Part No.	Description
OS: Windows Embedded 7 (CD-ROM)	TANK-801-WES7E-R10 (CD-ROM)	OS Image with Windows® Embedded Standard 7 E for TANK-801 Series, with CD-ROM, RoHS

## Packing list

1 x Utility CD	1 x Power Adapter (With PSE & ErP Certified)	1 x Chassis Screw
1 x One Key Recovery CD	1 x Power Cord	1 x Mounting Bracket

1 Industrial Computing Solutions

2 Video Capture Solutions

3 Embedded Computing Solutions

4 ORing Network Communication

5 Power Supply/ Peripherals

6 Panel Solutions Introduction