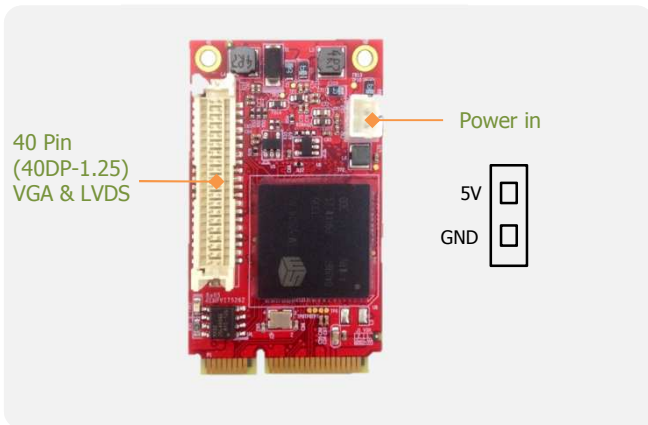


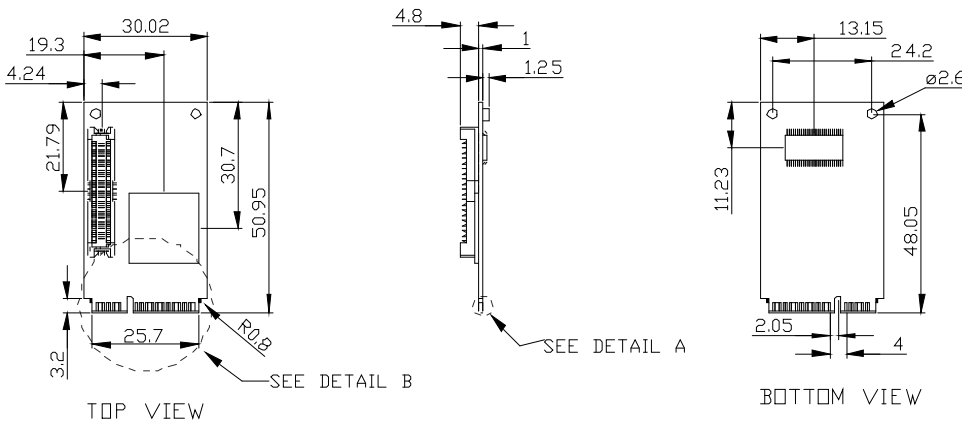
# EMPV-1202 mPCIe to VGA & 18/24 bit LVDS module



## Features

- VGA Output up to 1920x1080, up to 75Hz vertical rate.
- 18/24 bit LVDS supports up to 1600 x 1200.
- Allow for 90°, 180°, and 270° rotation of on-screen images.
- 30μ" golden finger, 3 years warranty.
- Industrial design. Manufactured in innodisk Taiwan.

## Mechanical Drawing



24 bits LVDS + VGA			
Signal	Pin	Pin	Signal
+5V	2	1	+3.3V
+5V	4	3	+3.3V
I2C_DATA	6	5	I2C_CLK
GND	8	7	GND
LVDS_D0+	10	9	LVDS_D1+
LVDS_D0-	12	11	LVDS_D1-
GND	14	13	GND
LVDS_D2+	16	15	LVDS_D3+
LVDS_D2-	18	17	LVDS_D3-
GND	20	19	GND
R_0	22	21	B_0
G_0	24	23	
GND	26	25	GND
H_Sync	28	27	DDC_SCL
V_Sync	30	29	DDC_SDA
GND	32	31	GND
LVDS_CLK+	34	33	
LVDS_CLK-	36	35	
GND	38	37	GND
	40	39	

## Specifications

**Headquarters (Taiwan)**  
9F., No.100, Sec. 1, Xintai 5th Rd., Xizhi Dist., New Taipei City, Taiwan (R.O.C.)  
Tel: +886-2-26963000  
Email: sales@innodisk.com

**Branch Offices:**

**USA**  
usasales@innodisk.com  
+1-510-770-9421

**Europe**  
eusales@innodisk.com  
+31-040-282-1818

**Japan**  
jpsales@innodisk.com  
+81-45-594-7581

**China**  
sales\_cn@innodisk.com  
+86-755-21673689

[www.innodisk.com](http://www.innodisk.com)

© 2014 Innodisk Corporation. All right reserved. Specifications are subject to change without prior notice.

July 30, 2014

Form-Factor	mini PCIe
Input I/F	PCI Express 1.0
Output I/F	VGA, 18/24 bit LVDS
Output Connector	40pin 1.25mm (40DP-1.25)
Controller	SM750
Max TDP	3.3V x 0.4A = 1.32W
Dimension (WxLxH)	50.95 x 30 x 8.2 mm, Weight: 8.5g
Temperature	Operation: STD: 0°C ~ +70°C
Environment	Vibration: 5G @7~2000Hz, Shock: 50G @ 0.5ms
Notes	Need to connect external 5V power for LVDS panel.
	OS Support : Windows XP (32 bit), Windows 7 (32/64 bit), Windows 8 (64 bit), Linux Ubuntu 12.10(64 bit), Linux Fedora 18, Linux RedHat Enterprise 6.3.
	Please download driver from Myinnodisk website.

## Order information

**EMPV-1202-C1**  
mPCIe to VGA & 18/24 bit LVDS module