

DATASHEET

Module TYPE	DDR3 8GB/4GB/2GB/1GB DIMM
Module speed	PC3-12800
CAS Latency	CL-11
Pin	240pin
SDRAM Operating Temp	0 °C ~ 85 °C

1. Features

Key Parameter

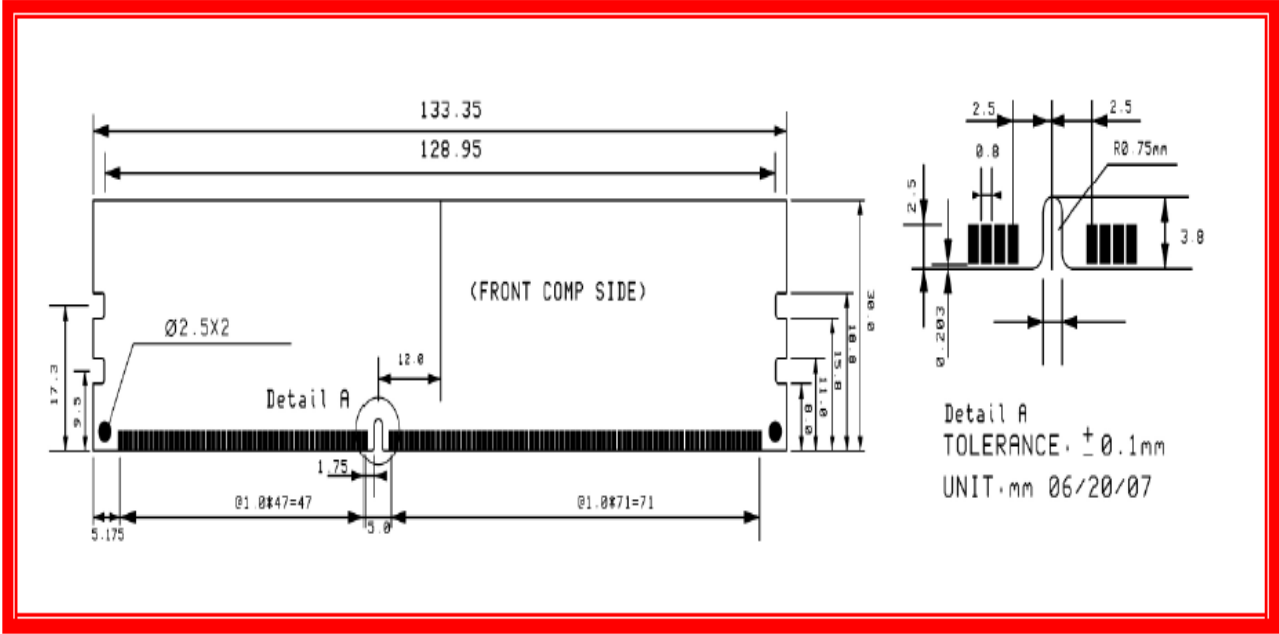
Industry Nomenclature	Speed Grade	Data Rate MT/s			tRCD	tRP	tRC
		CL=7	CL=9	CL=11	(ns)	(ns)	(ns)
PC3-12800	-	1066	1333	1600	13.75	13.75	13.75

JEDEC Standard 240-pin Dual In-Line Memory Module

- Intend for PC3-12800 applications
- Inputs and Outputs are SSTL-15 compatible
- VDD=VDDQ= 1.5 Volt \pm 0.075
- Bi-directional Differential Data Strobe
- DLL aligns DQ and DQS transition with CK transition
- SDRAMs have 8 internal banks for concurrent operation
- Normal and Dynamic On-Die Termination support.
- SDRAMs are 78-ball BGA Package

- 8 bit pre-fetch
 - Two different termination values (Rtt_Nom & Rtt_WR)
- Auto & self refresh 7.8 μ s ($T_A \leq +85^\circ\text{C}$)
- DRAM operating temperature range
0 $^\circ\text{C} \leq T_A \leq +85^\circ\text{C}$
- Programmable Device Operation:
 - Burst Type: Sequential or Interleave
 - Device CAS# Latency: 9
 - Burst Length: switch on-the-fly:
BL=8 or BC 4
- RoHS Compliant (*Section 14*)

2. PACKAGE DIMENSION



Note: Device position is only for reference.