

Wide Angle 3MP Global Shutter Mobile Single Lens IP Camera



GPAL-040S3G/ GPAL-060S3G / GPAL-080S3G

Wide Angle / 3MP Global Shutter/ IP68

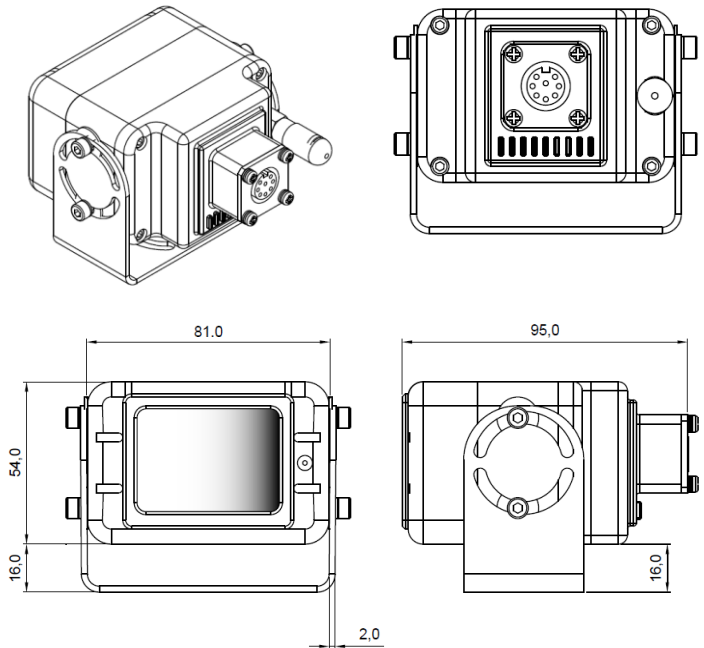
IP Single Lens LPR camera assists law enforcement, parking and other authorities to track and capture license plates. Rated IP68 and nitrogen-filled to operate and withstand the harshest conditions. The high-power LED detect virtually all kinds of reflective and non-reflective license plates. IP-based using OnVIF for effective interoperability. Power-over Ethernet (POE) interface allows a single wire connection for both data Transfer and power transmission.

Global Shutter supports to capture the number plate without distortion while high speed. It has the strobe out that can synchronize with the external LED and it can enlarge the application of LPR camera.

Key Features

- 1/3.1" 3.2MP Global Shutter CMOS
- Max. 60FPS@3M (1920x1440), 60FPS@2M (1920x1080)
- 1.2TOPs NPU Built-In
- Individual shutter speed and AEW setting for Day mode and Night mode
- Quadruple Streaming (H.265, H.264, M-JPEG, JPEG)
- ONVIF (Profile S) standard
- IP 68 rated, Nitrogen filled-in
- M12 A-Code 8PIN Male
- 855nm 4 Power IR LED
- Compact size

Dimension



Application

- Police Car, Mobile LPR System
- Parking Enforcement

Specification

CAMERA	
SoC	64bit Quad Core RISC CPU (Developed & Manufactured in S.Korea)
Image Sensor	3.2MP 1/3.1" Global Shutter CMOS
Lens / FOV	4mm / 88.4°(D) x 68.6°(H) x 50.7°(V) 6mm / 55.0°(D) x 44.3°(H) x 33.7°(V) 8mm / 41.7°(D) x 33.2°(H) x 24.9°(V)
Number of Effective Pixels	2064(H) x 1554(V) approx. 3.18 M pixels
Streaming	Quadruple Streaming (H.265, H.264, M-JPEG, JPEG)
Resolution	1920x1440, 1920x1080, 1280x1024, 1280x720, 720x480, 704x480, 640x480, 640x352, 320x240
Max. Frame Rate	60fps @ 1920x1440
Bit Rate Control	VBR, CBR (H.264/H.265, 32K~16Mbps), CVBR
Shutter Speed	Auto, Manual, Flicker (1/30 ~ 1/30000)
Frequency Control	60hz or 50hz
Privacy Masking	8 privacy zone
Motion Detection	Up to 4 Zones, Motion Sensitivity
Day & Night	TDN (Auto, Color, B&W, Extern)
White Balance	Auto, Preset, Manual
Video Analytics	Intrusion detection, Line Crossing, Object counting, Object tracking, Tampering, General Detection, Abnormal Detection
AI	Object Detection (Humans/Vehicles/Bicycles etc.), Face Detection
Image Adjustment	Sharpness, Gamma, Contrast, D-WDR, Defog
NETWORK	
LAN interface	10/100BaseT Ethernet auto sensing
Simultaneous clients	Live-cast for up to 16 clients
Web browsing	Multi Web Browsers, VLC
Developer support	Provides CGI API for RTSP
ONVIF	Profile S, T
Protocol	HTTP, RTP/RTSP(Uni/Multicast), TCP/IP(v4/v6), UDP, FTP, Telnet, HTTPS, RARP, PPPoE, SNMP, CHAP, DHCP,NTP, SMTP client, uPnP & etc
MECHANICAL	
Case	Aluminum
Operating Temperature	- 30°C~ + 75°C
Ingress Protection Degree	IP68, Nitrogen Filled-in
Power	IEEE 802.3af, PoE, 48VDC(MAX 57VDC)
Power Consumption	Up to 5.6W
Dimension / Weight	81mm (W) x 95mm(D) x 54mm(H) / Camera only - about 520g