



## Main Features

- ♦ 23.8" TFT-LCD FHD 16:9 fanless panel computer
- ♦ Powered by Intel Atom® x5-E3930 processor, 1.3GHz
- ♦ Wide-range DC input of 9V to 36V DC
- ♦ Support ignition control for power on/off delay timing management
- ♦ Compliant with IP54 on the front panel
- ♦ Tempered glass, surface hardness 6H
- ♦ 1 x DDR3L up to 8GB, M.2 (2242) B-Key SSD for storage device
- ♦ 1 x mini-PCIe expansion available for wireless communication
- ♦ CE/FCC/E/e-Mark

## Product Overview

The 23.8" fanless panel pc, TPPC 2401 is a 23.8" 16:9 TFT-LCD with resolutions to 1920 x 1080 (Full-HD) and industrial motherboard making it the perfect "AIO" in transit panel PC solution. Wide-range power input (9V-36V DC) can let TPPC 2401 to be capable of setting up in various application environment and vehicles, which is included in retail outlets, supermarkets, train station, airport and bus. It is compliant to in-vehicle industrial standard, like E/e-Mark.

## Specifications

### LCD Panel

- ♦ LCD size: Innolux 23.8,16:9
- ♦ Resolution: Full-HD, 1920 x 1080
- ♦ Luminance: 350 nits cd/m2
- ♦ Contrast ratio: 1,000
- ♦ LCD color: 16.7M
- ♦ View angle: 178 (H), 178 (V)
- ♦ Backlight: LED

### System

- ♦ Intel Atom® x5 E3930 processor, 1.3GHz (burst mode: 1.8GHz)

### System Front

- ♦ 1 x Ambient light sensor

### Main Memory

- ♦ 1 x 204-pin DDR3L SO-DIMM socket, up to 8GB. Support up to 1866 Mhz, non-ECC and unbuffered memory

### Rear I/O

- ♦ 1 x Power input connector, 6-pin (9V-36V DC & Ignition control)
- ♦ 1 x DB9 COM port for RS232/422/485
- ♦ 2 x RJ45 Intel® I210-AT gigabit LAN ports
- ♦ 4 x USB 3.0, support USB 2.0
- ♦ 1 x HDMI 1.4b (support 4K x 2K @30Hz)
- ♦ 1 x Line-in, Line-out with 16Ω Amplifier

### Audio

- ♦ Realtek ALC888 audio codec

### Storage Device

- ♦ 1 x M.2 2242 Key B SSD, up to 256G max.
- ♦ 1 x 2.5" SATA SSD reserved

### Expansion

- ♦ 1 x mini-PCIe full-size connector on board (support PCIe/USB)

### Power Management

- ♦ 9V to 36V DC input (UPS: 12V, 24V and 36V)
- ♦ Ignition on/off control & programmable on/off delay timing

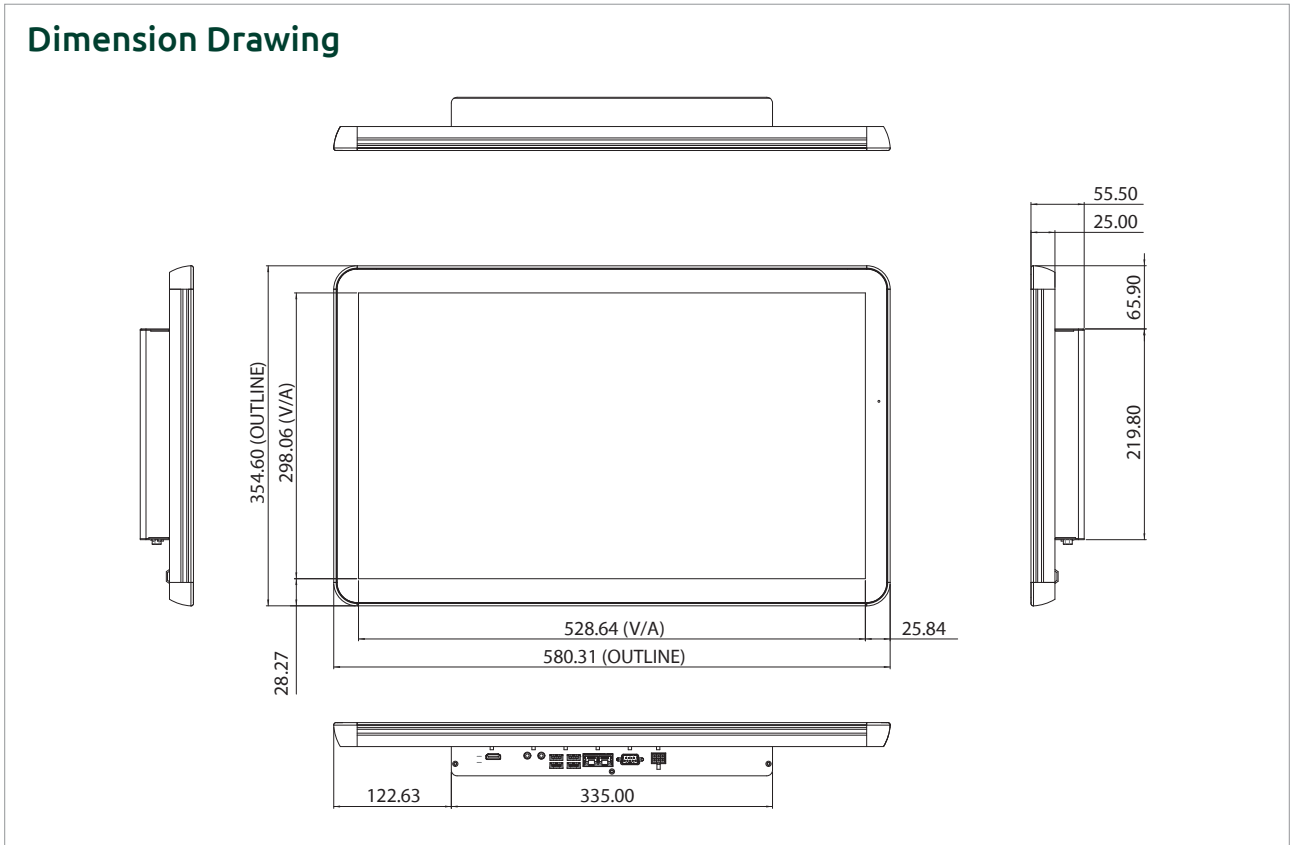
### Environment

- ♦ Vibration
  - IEC60068-2-64
  - Operating: 1G, random, 5-500Hz, 1hr/axis (w/ storage)
- ♦ Drop
  - IEC60068-2-32
  - ISTA-2A STD
  - 10.4kg (packing weight) & 81cm (falling height)
- ♦ Temperature
  - Operating temperature: 0~50°C
  - Storage temperatures: 0~70°C
  - Damp heat test per EN60068-2-30, 45~55°C, 95%, 48hrs, non-condensing

### Operating System Support

- ♦ Win10 IoT Enterprise 64-bit
- ♦ Linux Yocto 4.14

## Dimension Drawing



### Mechanical Information

- Color: black
- VESA mount (100mm x 100mm; 200mm x 200mm)
- Dimension: 580.31mm (W) x 354.6mm (D) x 55.5mm (H)
- System weight (N.W): 10kg, 22lb
- Package weight (G.W): 12kg, 26.45lb

### Certification

- CE (EN55024, EN55032, EN55035)
- FCC Class A (Part 15B)
- E-mark: E-13, 12/24V
- Complied with ITxPT power consumption requirement

### Ordering Information

- **TPPC2401\_LPC (P/N: 10ID0240102X1)**  
23.8" TFT-LCD FHD 16:9 Passenger Information Panel PC,  
Intel Atom® x5-E3930