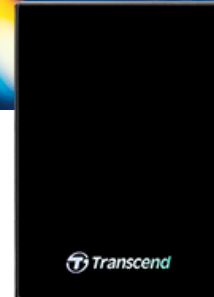


Embedded Solutions



2.5" PATA SSDs

PSD330

Transcend's 2.5" PATA SSDs offers high-speed UDMA Mode 6, and offer installation flexibility for desktops, laptops or portable devices built around the 2.5" PATA (IDE) storage device standard. When replacing a traditional 2.5" IDE HDD with an SSD to enhance overall system performance, industrial-grade 2.5" PATA SSDs are the optimal choice.

Hardware Features

- Compliant with RoHS 2.0 standards
- MLC NAND flash

Firmware Features

- Enhanced S.M.A.R.T. function for durability
- Built-in ECC (Error Correction Code) functionality
- Static Data Refresh
- Security Command
- Advanced Global Wear-Leveling and Block management for reliability

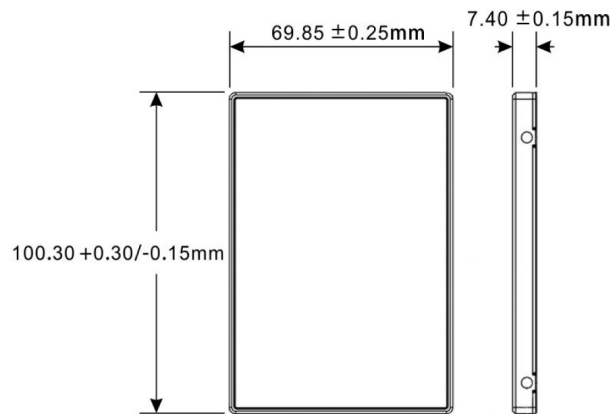
Ordering Information

32GB	TS32GPSD330
64GB	TS64GPSD330
128GB	TS128GPSD330

Specifications

Appearance	Dimensions	100.3 mm x 69.85 mm x 7.4 mm (3.95" x 2.75" x 0.29")
	Weight	55 g (1.94 oz)
	Pin Count	44 pin
	Form Factor	2.5"
Interface	Bus Interface	PATA
Storage	Flash Type	MLC NAND flash
	Capacity	32 GB / 64 GB / 128 GB
Operating Environment	Operating Voltage	5V±5%
	Operating Temperature	0°C (32°F) ~ 70°C (158°F)
	Storage Temperature	-40°C (-40°F) ~ 85°C (185°F)
	Humidity	0% ~ 95%
	Shock	1500 G, 0.5 ms, 3 axis
	Vibration (Operating)	20 G (peak-to-peak), 20 Hz ~ 2,000 Hz (frequency)
Power	Power Consumption (Operation)	1.24 watt(s)
	Power Consumption (Sleep)	0.004 watt(s)
Performance	Sequential Read/Write (CrystalDiskMark, max.)	Read: up to 120 MB/s Write: up to 75 MB/s
	Mean Time Between Failures (MTBF)	1,000,000 hour(s)
	Terabytes Written (Max.)	80 TBW
Warranty	Certificate	CE / FCC / BSMI
	Warranty	Three-year Limited Warranty

Mechanical Dimensions



Product specifications are subject to change without notice. Pictures shown may differ from actual products. Total accessible capacity varies depending on operating environment. Due to the complexity and variety of industrial applications, Transcend cannot guarantee 100% compatibility with all platforms and under all scenarios. For special applications and environments, it is strongly suggested that you contact Transcend beforehand for clarification.