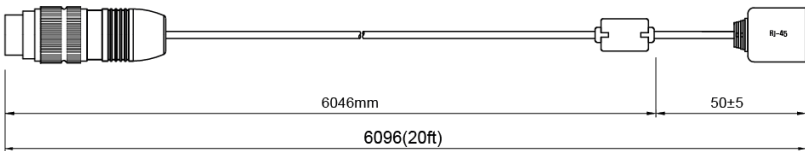
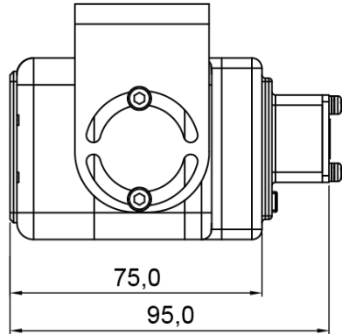
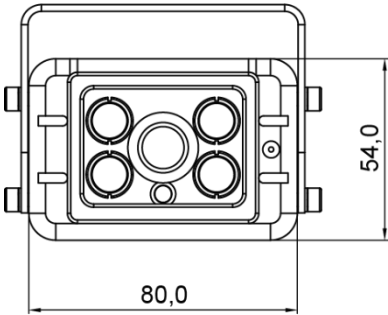
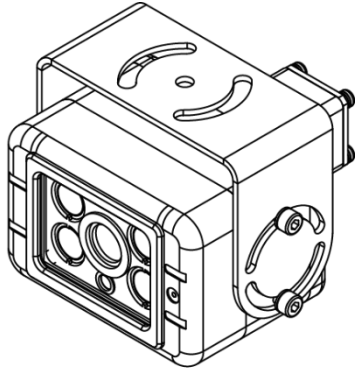
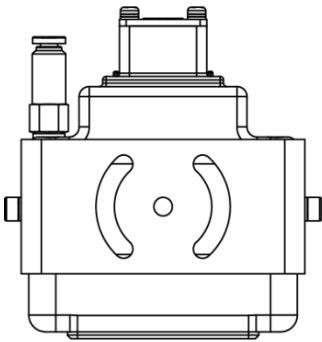


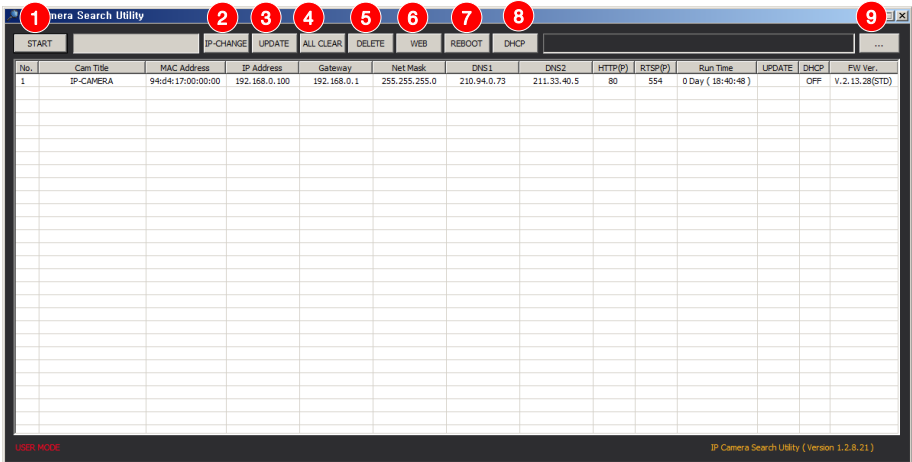
# **Single Lens LPR Camera Quick Manual**

# Single LPR IP Camera Dimension



# IP Camera Search

In order to have the camera viewable on the network, IP address has to be assigned first. When a user double clicks IPCamSearch.exe file which a software provided in the CD will help to search IP camera and change the IP address easily.



- 1 START : Enable to search IP cameras in the network and display the list of searched cameras.
- 2 IP-CHANGE : After Search, select the displayed camera and click "IP-Change" to change IP address, Gateway and Net Mask.
- 3 UPDATE : Firmware can be updated. Before updating, please load firmware from PC.
- 4 ALL CLEAR : Displayed cameras are all cleared.
- 5 Delete : Delete the displayed cameras in the list.
- 6 WEB : Go to web view for the selected camera.
- 7 REBOOT : Reboot the selected IP cameras
- 8 DHCP : Change to DHCP mode for the selected camera.
- 9 Load firmware from your PC to update the latest firmware

# Default IP Address

---

Factory default value of IP camera is like below.

- **IP : 192.168.0.100**
- **SM : 255.255.255.0**
- **GW : 192.168.0.1**

When you connect IP camera and PC directly, please assign the IP address of PC by choosing any numbers from 2 to 254 except "100" as shown below.

- **IP : 192.168.0.150**
- **SM : 255.255.255.0**
- **GW : 192.168.0.1**

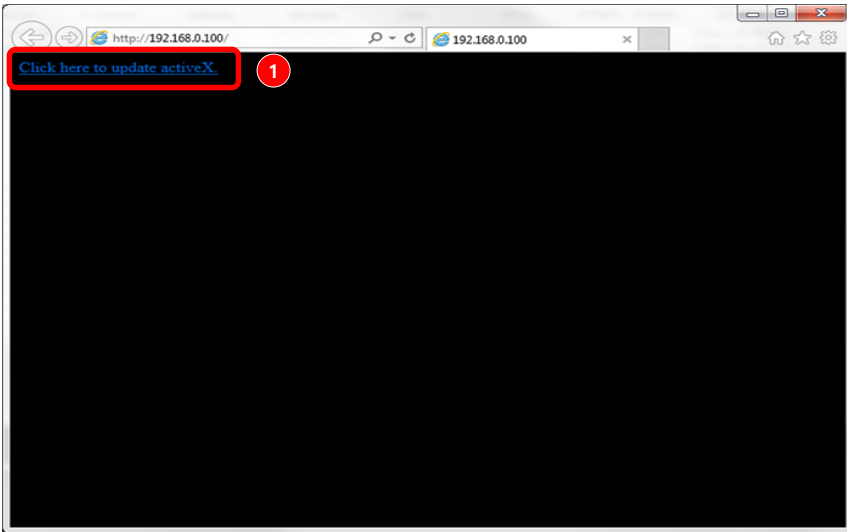
After connection, allow to install ActiveX (Web Live Player software) on PC. For the installation of ActiveX, please refer to the following page.

※Available OS : XP, VISTA, WIN 7/8/10(32/64bit)

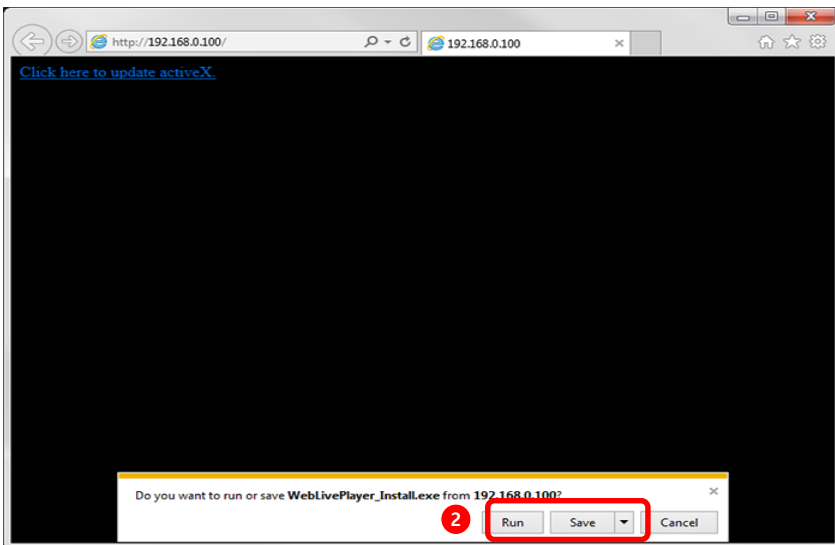
# ActiveX Installation

---

## ActiveX(Web Live Player) Installation



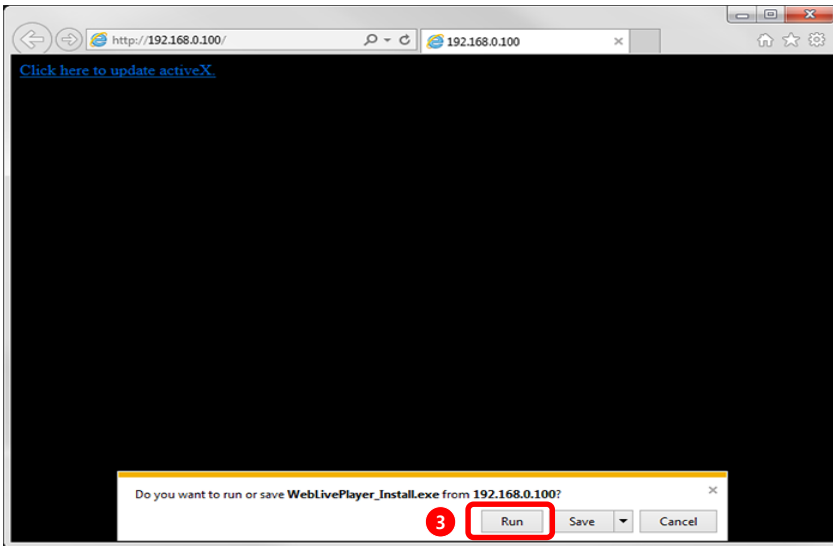
1 Click "Click here to install Web Live Player".



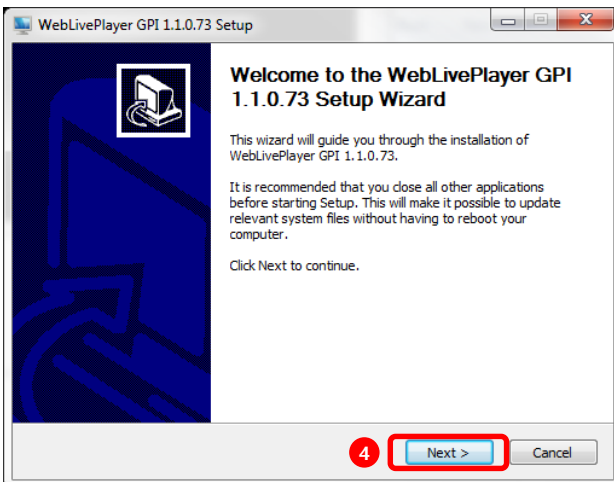
2 Click 'Run' to download or click 'Save' to download and save Web Live Player to your PC.

# ActiveX Installation

---



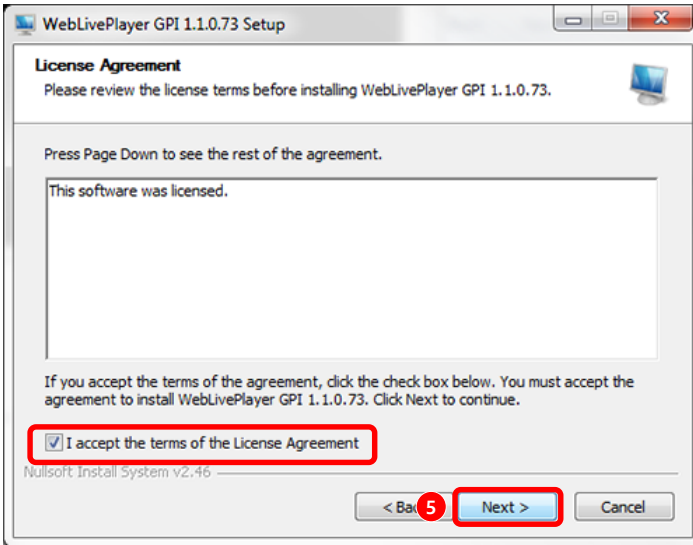
- 3 Click "Run" to directly install Web Live Player.



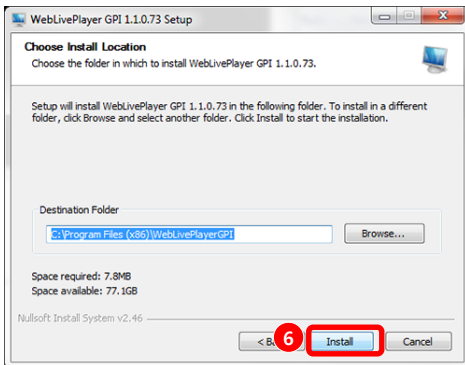
- 4 Click the 'Next' button.

# ActiveX Installation

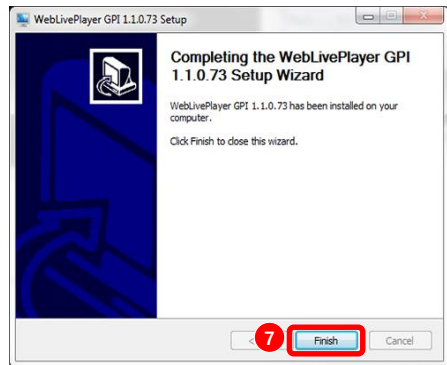
---



5 Check on Agreement message and click 'Next' button.



6 Click the 'Install' button.



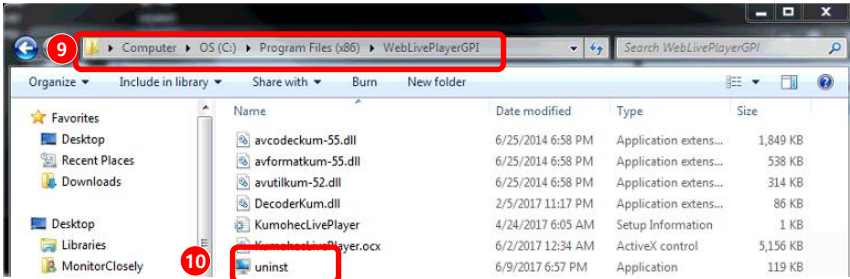
7 Click 'Finish' to complete the installation.

# Direct ActiveX Installation

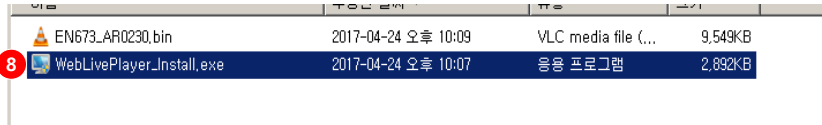
8 Execute "WebLivePlayer\_Install.exe" and install the ActiveX directly on the PC.

\*\*\* If it is the first installation, skip step #1. \*\*\*

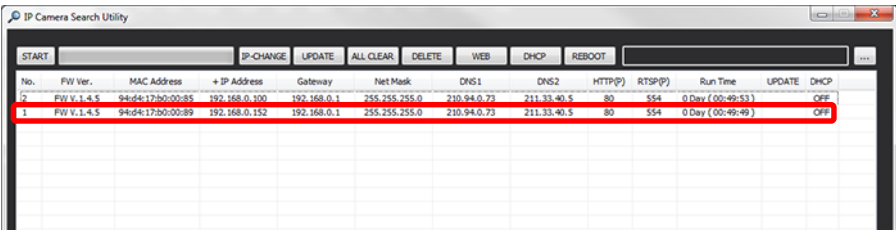
1. 9 Before installation, uninstall the previous program. Move to the folder the program is installed. 10 Execute "Uninst" (Uninstall) and remove the previous ActiveX.



2. And then, execute 8 ActiveX install file.



When the installation is completed, double click the specific camera on "IP Camera Search Utility" or



Enter the IP address on the web to access the camera.





# LOGIN

---

Input IP address of IP camera on web(Internet Explorer)



Input User ID, Password and click "Login" button.

- 1 User ID : User's Account Name
- 2 Password : User's Secret Number
- 3 Login : After input User ID & Password, click 'Login'.

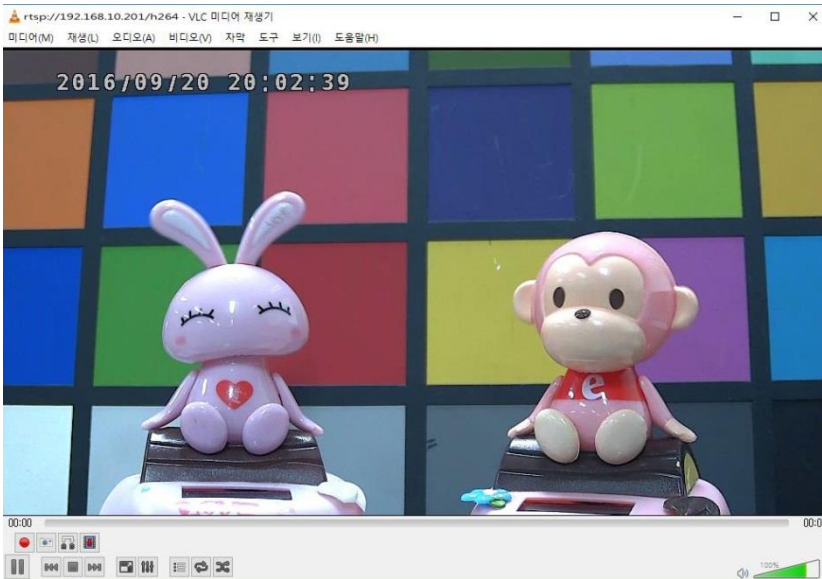
Default ID & PW  
- User ID : **admin**  
- Password: **admin**

# RTSP

## Vlc Media Player

H.264 Main streaming : rtsp://192.168.0.102/h264

H.264 Sub Streaming : rtsp://192.168.0.102/hsb



## Onvif Device Manager

ID: admin , password: admin

