



CompactFlash Cards

Industrial Temp CF220I CF Card

Wide Temperature

Ruggedized and featuring excellent temperature flexibility while delivering on performance, Transcend's CF220I Industrial Temp CF cards are specifically designed for industrial use and mission-critical applications.

Features

- CompactFlash Specification Version 6.0 compliant
- RoHS compliant product
- Support S.M.A.R.T (Self-defined)
- Support Security Command
- Support Global Wear-Leveling, Static Data Refresh, Early Retirement, and Erase Count Monitor functions to extend product life
- Operation Modes: PC Card Memory, PC Card IO, True IDE
- True IDE Mode supports: UDMA0-5, MDMA0-4, PIO0-6 (UDMA5 as default)
- True IDE Mode: Fixed Disk (Default)
- PC Card Mode: Fixed Disk (Default)
- Power Shield prevents data loss in the event of a sudden power outage

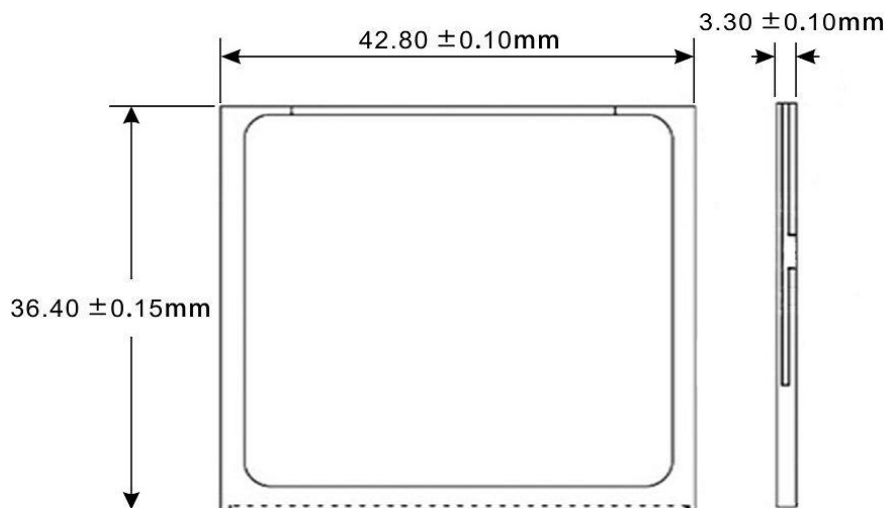
Ordering Information

| | |
|-------|--------------|
| 128MB | TS128MCF220I |
| 256MB | TS256MCF220I |
| 512MB | TS512MCF220I |
| 1GB | TS1GCF220I |
| 2GB | TS2GCF220I |
| 4GB | TS4GCF220I |
| 8GB | TS8GCF220I |

Specifications

| | | |
|-----------------------|---|--|
| Appearance | Dimensions (Max.) | 42.8 mm x 36.4 mm x 3.3 mm (1.69" x 1.43" x 0.13") |
| | Pin | 50 pin |
| | Form Factor | Compact flash card |
| Storage | Flash Type | SLC NAND flash |
| | Capacity | 128 MB/256 MB/512 MB/1 GB/2 GB/4 GB/8 GB |
| Operating Environment | Operating Voltage | 3.3V±5% or 5V±10% |
| | Operating Temperature | -40°C (-40°F) ~ 85°C (185°F) |
| | Storage Temperature | -55°C (-67°F) ~ 100°C (212°F) |
| | Humidity | 0% ~ 95% |
| | Shock | Acceleration: 490 m/s ² (standard holding time: 11 ms, semi-sine wave, velocity change: 3.44 m/s) |
| | Vibration (Operating) | 20 G (peak-to-peak), 20 Hz ~ 2,000 Hz (frequency) |
| Power | Power Consumption (Max.) | 0.54 watt(s) |
| Performance | Read Speed (Max.) | 56 MB/s |
| | Write Speed (Max.) | 44 MB/s |
| | Mean Time Between Failures (MTBF) | 3,000,000 hour(s) |
| Warranty | Warranty | Three-year Limited Warranty |
| Note | • Speed may vary due to host hardware, software, usage, and storage capacity. | |

Mechanical Dimensions



Product specifications are subject to change without notice. Pictures shown may differ from actual products. Total accessible capacity varies depending on operating environment. Due to the complexity and variety of industrial applications, Transcend cannot guarantee 100% compatibility with all platforms and under all scenarios. For special applications and environments, it is strongly suggested that you contact Transcend beforehand for clarification.



Please feel free to contact us with any special requests you might have.
Tel: +886-2-2792-8000 www.transcend-info.com

