

Marketing Datasheet

Wall Mount

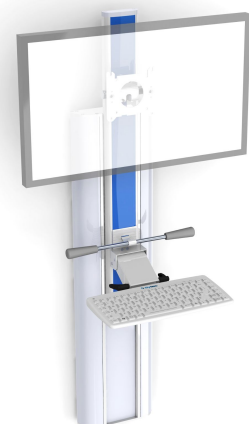
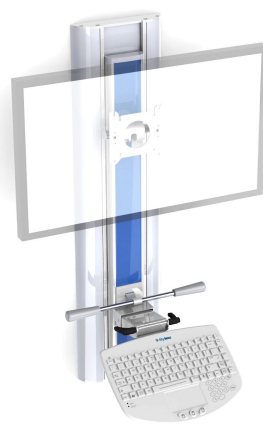
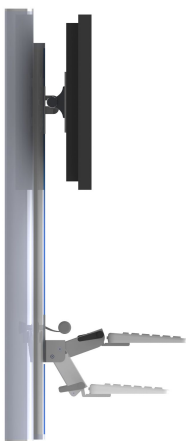


Features

- Low profile Mounting System
- Ergonomic design
- Smooth profile for easy antibacterial cleaning
- No wires, integrated cable system
- Height Adjustment
- Keyboard mount, adjustable height and tilt angle
- Versatile mounting solutions
- Easy installation, minimal cost

Our Airos wall mount is the perfect solution for a central PC hub which adjusts with ease to level at the correct user height. The central handle allows effortless adjustments to meet the ideal position while still achieving a slim slick look and discreet mounting which allows more space for other equipment.

We designed this to have excellent cable management and rounded surfaces for easy cleaning and disinfecting. Why not complete it with our silver ion bio protected Medi-Key. For the best match we recommend a PPC or AIO computer display which we can provide for more information please call +44 (0) 1737378800

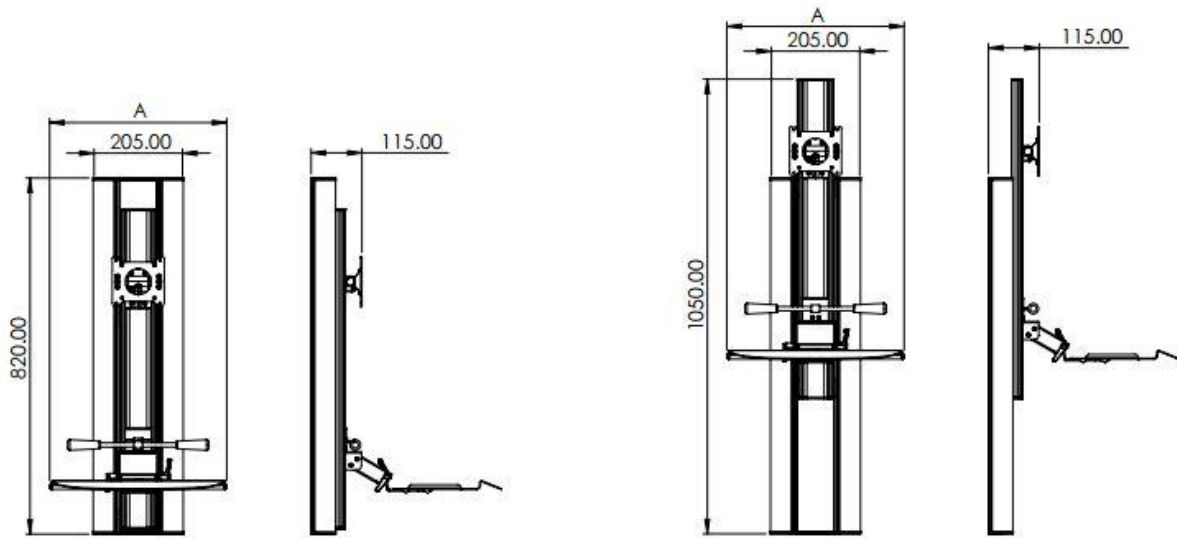


Customization

For customisation options please contact the sales team on +44 (0) 1737 378 820

Marketing Datasheet

Wall Mount



	Height Adjustable
Height	230 mm (820 mm high in lowest position; 1050 mm high in highest position)
Max display weight	TBC kg
Max Keyboard weight	TBC kg
Material	TBC
Compliance	CE, EN 60601-1

Please call our Sales Team on
 +44 (0)1737 378 820
 to discuss your specific requirements.
 Custom engineering design services are also available.

Notice

Bytec Healthcare takes reasonable steps to ensure that all technical information and recommendations disclosed in our datasheets, brochures and website are based upon our experience and research, it is provided in good faith. Users shall independently determine the suitability of the products shown for their particular regional requirements and intended use, and will ensure that they meet the relevant regulations for the countries of use, as these may differ greatly from country to country. As such we accept no liability whatsoever for any inaccuracies herein disclosed. Please feel free to contact our technical teams, who would be delighted to advise you on specific regulatory issues. Bytec Healthcare reserves the right to alter, delete or make obsolete any product featured in its brochures, datasheet and website without prior notice. E&OE. © Copyright Bytec Healthcare Limited 2017 GENI-CART is a trademark of Bytec Healthcare Ltd.