

Marketing Datasheet

Internal housing laptop workstation

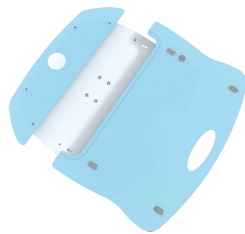


Our innovative lightweight healthcare cart can meet the needs of the busiest environments. Light and nibble, it makes light work of moving from one place to another, freeing up time for where it is needed the most.

Our LTCart providing an easy-to-maneuver height adjustable cart that accepts most laptops in a variety of sizes. We have focused on an ergonomic design to best suit a healthcare environment, while allowing for easy strip down for cleaning. With a built in keyboard tray, optional lockable drawer, and a range of attachments and accessories you will be sure to find the perfect fit.

Features

- Easy cleaning
- Lightweight maneuverability
- Height Adjustable
Or Fixed Height
- Compatible with our Geni-Tec™
- Small footprint for space saving
- Tablet and monitor mounts available
- Infection control friendly



Power Delivery



24 hour Operations



Uninterrupted Workflow



Substance Protection



Total Mobility, free movement



Everything On One system



Mount limit	Max Weight	Adjustable	Tilt	Pan	Rotation	Vesa	Castors
Max 12kg	Max 18kg	815mm-1115mm	N/A	N/A	N/A	N/A	All Brakes

Customization

For customisation options please contact the sales team on +44 (0) 1737 378 820

Marketing Datasheet

Internal housing laptop workstation



Interlocking Security

Our LTCart features our new interlocking security work surface which encloses and locks your laptop into the cart. The laptop is neatly hidden away only allowing the screen to be visible while providing a useable workspace, and adequate equipment fanless ventilation.

Keyboard Tray

Easy to use, easy to hide, keyboard tray and mouse pad combo. Our slim compacted design neatly hides the keyboard tray when not in use, as well as providing additional space for more attachments.



Drawers & Keyboard

Combine the space saving attachments to give you more room for essential storage. Our selections of drawers comes in both small (as shown) & larger configurations.



Standard Laptop Mount

If an enclosed laptop cart is not what you are looking for then there is always our standard laptop mount which secures your laptop externally from the cart. **Visit our website for more configurations.**



Available Cart Shelving

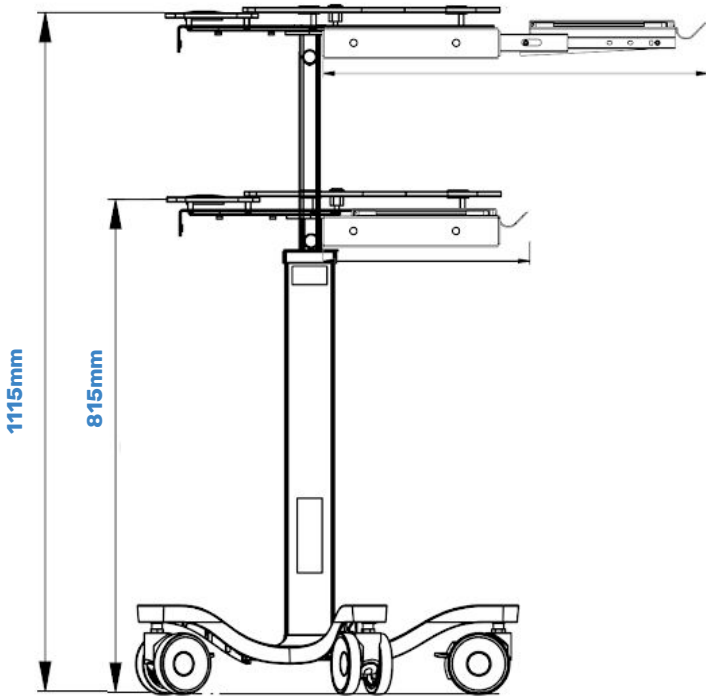
Attach multiple shelves to create more space for device placement and document placement. With an additional platform you can make better use of your carts space.

Notice

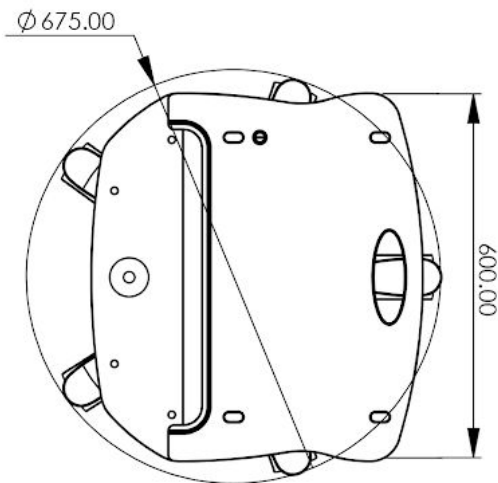
Bytec Healthcare takes reasonable steps to ensure that all technical information and recommendations disclosed in our datasheets, brochures and website are based upon our experience and research, it is provided in good faith. Users shall independently determine the suitability of the products shown for their particular regional requirements and intended use, and will ensure that they meet the relevant regulations for the countries of use, as these may differ greatly from country to country. As such we accept no liability whatsoever for any inaccuracies herein disclosed. Please feel free to contact our technical teams, who would be delighted to advise you on specific regulatory issues. Bytec Healthcare reserves the right to alter, delete or make obsolete any product featured in its brochures, datasheet and website without prior notice. E&OE. © Copyright Bytec Healthcare Limited 2017 GENI-CART is a trademark of Bytec Healthcare Ltd.

Technical Datasheet

Internal housing laptop workstation



System Input Voltage	28 VDC (via optional GEN-PSU-220 Supplied Separately) <i>Only with GeniTec</i>
Max Tilt Angle	10 Degrees (in a static tilt test) As per EN-60601-1 section 9.4.2.1
Max Carrying Load	18 kg (subject to height)
Base	5 Wheel Star base - 675mm diameter 4 wheel base - 561mm x 557mm
Accessories Available	Handle, Basket, Medi-Rail, Cable Hook, Drip Pole, PSU Adapter Holder, Keyboard Tray
Castors (Standard)	5 Castors, 100mm, All braked 4 Castors, 100mm, All braked
Geni-Tec System	Dual Dock push button release, adjustable regulated output 12-28V (Battery Modules Supplied Separately,)
Compliance	CE, FCC Power System ; EN/ES/IEC 60601-1 Power Module: IEC 62133, UL 2054, UN38.3



Ordering Please find the part number configurator below. For More configuration please visit our website.

Family	Product Description	Part Number
LAP	Internal Laptop Cart, height adjustable (300mm), Extrusion length (710mm) - Non Powered - 5 star base 675mm 100 mm standard wheels	WOW-040D-0547
	Internal Laptop Cart, height adjustable (300mm) capability ,Extrusion length (710mm) - Single Dock - 5 star base 675mm 100 mm Pro wheels	WOW-041D-1547
	Internal Laptop Cart, height adjustable (300mm) capability ,Extrusion length (710mm) - Dual Dock - 5 star base 675mm 100 mm Pro wheels	WOW-041D-2547

Customization

For customisation options please contact the sales team on +44 (0) 1737 378 820