

## Marketing Datasheet Mounting Arm Application



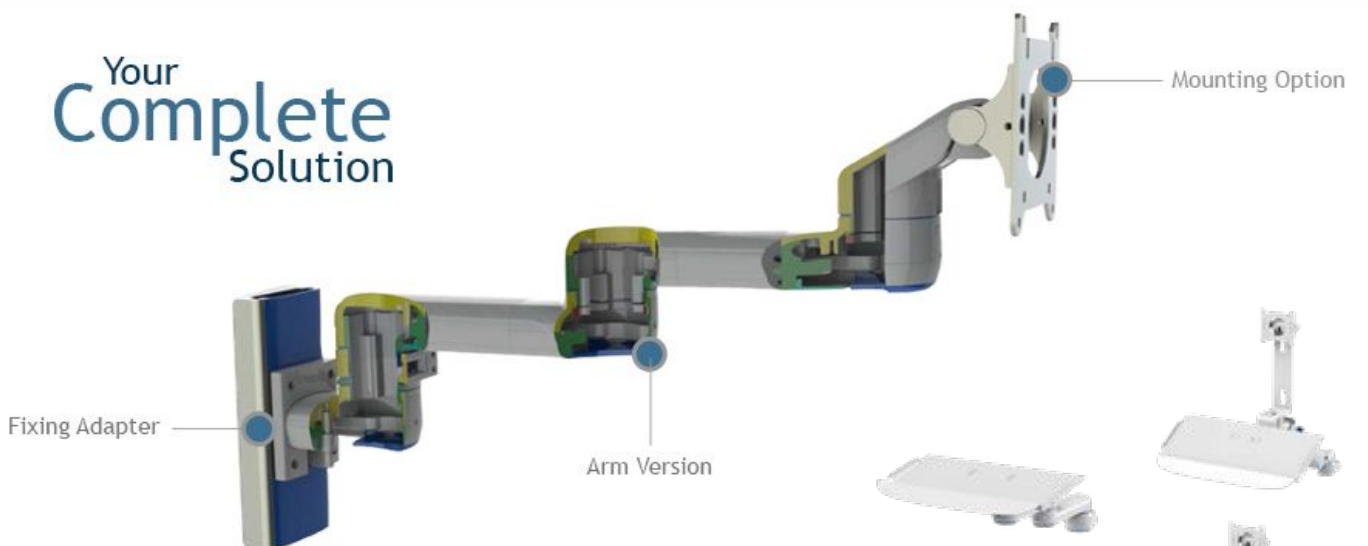
### Features

- Low profile compact mounting system
- Smooth profile for easy cleaning
- Integrated cable management.
- Adjustable features, for ergonomic design

Our Novos Arm<sup>TM</sup> range offers a complete modular mounting solution, including fixed adapters, arm sections, mounting options and accessories. Engineered for strength, adaptability and ease of installation, the Novos system includes a range of unique features. Ideal at supporting displays, panel PC's and diagnostic equipment, the arms are also available for mounting into walls, panels and poles.

Integrated cable management neatly routes within the structure of the arm, leaving you with a virtually wire-free installation.

### Your Complete Solution



#### Configure your own Stand

- Twin channel central extrusion allows for a full range of accessories to be mounted
- Height adjustable options
- Versatile stand allows for custom mounting plates to be designed
- Full in house design team for custom ad options



#### Customization

For customisation options please contact the sales team on +44 (0) 1737 378 820

## Marketing Datasheet

### Mounting Arm Application



### Wall Channels

With both horizontal and vertical types available, these adapters can be used to fit onto our wall channel extrusions, as well as our carts.

### Medical Rail Mounts

Medi-rail systems can be found in most hospitals, so these adapters allow arms to be fitted conveniently to existing solutions. Also available in horizontal and vertical types.



### Pole Mounts

In many operating room environments, the use of poles as a means of attaching equipment to overhead gantries are commonplace. These pole mount types can be used to attach to various pole diameters.

### Mounting heads



Available with horizontal mount, or 45 deg mount with cable routing.

We also provide standard mounts for displays and keyboards.



### Mount KIT

For special requirements we have a range of kits to help attach medical equipment from different manufacturers.

#### Notice

Bytec Healthcare takes reasonable steps to ensure that all technical information and recommendations disclosed in our datasheets, brochures and website are based upon our experience and research, it is provided in good faith. Users shall independently determine the suitability of the products shown for their particular regional requirements and intended use, and will ensure that they meet the relevant regulations for the countries of use, as these may differ greatly from country to country. As such we accept no liability whatsoever for any inaccuracies herein disclosed. Please feel free to contact our technical teams, who would be delighted to advise you on specific regulatory issues. Bytec Healthcare reserves the right to alter, delete or make obsolete any product featured in its brochures, datasheet and website without prior notice. E&OE. © Copyright Bytec Healthcare Limited 2019 NOVOS is a trademark of Bytec Healthcare Ltd.

# Marketing Datasheet

## Mounting Arm Application



### Gas Strut Arms

Our Height adjustable gas strut arms comes with lockable function options. Providing 385mm of height adjustability

### Arm Sections

Two arm sections are available, and have been designed to support heavy loads. Any combination of these 180mm and 230mm arms can be used.

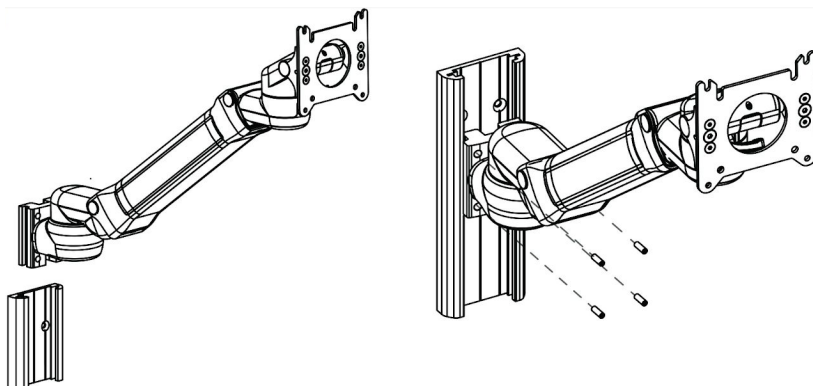
### Arm Extensions

These arm extensions are designed to support heavier loads. They can be used with the Height Adjustable arm as an extension.

### Customisation

The modular design allows for a number of different configuration for differing applications and environments. However, we understand that this may not always be enough. If you require something specific, then please let us know your requirement.

Our in-house UK development team will be able to support your project from start to finish.



### Installation

Simply and straight forward installation in channel or pole.

## Marketing Datasheet

### Mounting Arm Application



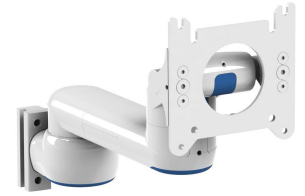
Combination 1



Combination 2



Combination 3



Combination 4

### Configurations



Configuring the Novos arm is made simple as each individual part is specifically designed to be attached at any stage of the configuration. This makes it simple to tailor your mounting solution needs with our novos arm range. Above is an example of a configuration. This setup is represented in combination 1 above..

The beauty of this mounting solution is the freedom of choice, giving multiple configuration and the best part is you can create it. Pick your parts and add them as shown in diagram .



### Cable Management

Our Innovative internal cable management system allows the cables to be hidden inside the arm, keeping it clean and tidy without compromising its strength and stability. Our method of internal cable management is a pending patent.

### Warranty

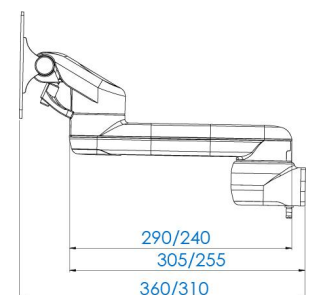
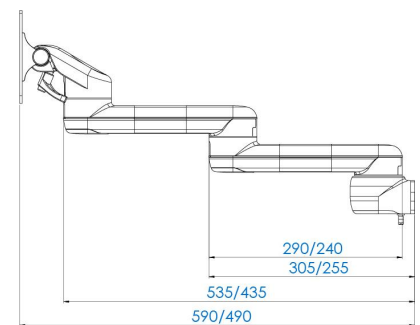
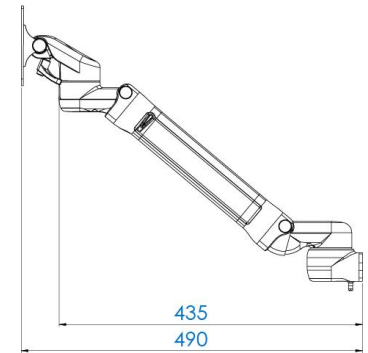
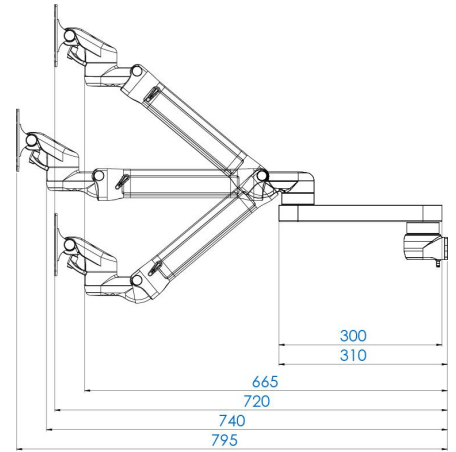
All our Novos range carry a 5 year warranty applied to materials and workmanship.  
Where applicable, a 2 year warranty applies for the power system with 2 year against battery manufacturer defects ( Only in the UK)

# Marketing Datasheet

## Mounting Arm Application

### Specifications (examples)

<b>Novos 2000 Height Adjustable Mounting Solution with Extension</b>	<p>160 degree turn on all joints. Tilting VESA mount bracket. Joint extension and lockable options. Built in gas spring for assisted support.</p> <p>385mm height adjustability</p>
<b>Arm Length</b>	<p>740mm (horizontal position, excludes mount)</p>
<b>Max Weight</b>	<p>8kg</p>
<b>Material</b>	<p>Aluminium and Plastic</p>
<b>Colour</b>	<p>White or Cool Grey (arm) Blue or Grey (trim)</p>
<b>Novos 2000 Height Adjustable Mounting Solution</b>	<p>160 degree turn on all joints. Tilting VESA mount bracket. Lockable positioning. Built in gas spring for assisted support.</p> <p>385mm height adjustability</p>
<b>Arm Length</b>	<p>435mm (45 degree position, excludes mount)</p>
<b>Max Weight</b>	<p>12kg</p>
<b>Material</b>	<p>Aluminium and Plastic</p>
<b>Colour</b>	<p>White or Cool Grey (arm) Blue or Grey (trim)</p>
<b>Novos 500 Double Arm Mounting Solution</b>	<p>160 degree turn on all joints. Tilting VESA mount bracket.</p>
<b>Arm Length</b>	<p>435mm (18cm section - excludes mount) 535mm (23cm section - excludes mount)</p>
<b>Max Weight</b>	<p>14kg</p>
<b>Material</b>	<p>Aluminium and Plastic</p>
<b>Colour</b>	<p>White or Cool Grey (arm) Blue or Grey (trim)</p>
<b>Novos 500 Single Arm Mounting Solution</b>	<p>160 degree turn on two joints. Tilting VESA mount bracket.</p>
<b>Arm Length</b>	<p>240mm (18cm section - excludes mount) 290mm (23cm section - excludes mount)</p>
<b>Max Weight</b>	<p>15kg</p>
<b>Material</b>	<p>Aluminium and Plastic</p>
<b>Colour</b>	<p>White or Cool Grey (arm) Blue or Grey (trim)</p>



## Marketing Datasheet Mounting Arm Application

**NMS - XX - XX X - XX XX - X X**

### Fixing Adapters

#### Wall Channel Adapter

- 00 - Vertical Wall Channel
- 01 - Horizontal wall channel

#### Pole Mount

- 20 - Universal Pole Clamp (25-50 mm height)
- 21 - Fixed 50 mm pole clamp

#### Rail systems

- 40 - 8mm
- 41 - 10 mm 25 mm vertical

OEM Fixing - Please call for details

Fixing available for other manufacturers' system, including Philips & Trumpf

### Arm Type

#### Fixed Height Arm

- 00 - No Arm, flush mount
- 11 - Single Arm 180 mm Section
- 12 - Single Arm 230 mm Section
- 21 - Double Arm 180 mm Section
- 22 - Double Arm 230 mm Section

#### Adjustable Height Arm (435 mm section)

- 30 - Adjustable Arm
- 35 - Adjustable Arm with lock
- 40 - Adjustable Arm + 230mm extension
- 45 - Adjustable Arm with lock + 230mm extension

### Gas Support Spring

#### Fixed Height Arm

- 00 - No Gas Spring

#### Adjustable Height Arm

- 1 - 3 Kg to 6 Kg Gas Spring
- 2 - 7 Kg to 10 Kg Gas Spring
- 3 - 11 Kg to 14 Kg Gas Spring

### Arm Color

- 00 - White
- 01 - Cool Grey 2C

### Mounting Options

#### Standard

- VS 00 - No Arm, flush mount
- VS 11 - Single Arm 180 mm Section
- LT 00 - Single Arm 230 mm Section
- QR 00 - Double Arm 180 mm Section
- KB 1x - Double Arm 230 mm Section
- KB 2x - Adjustable Arm
- KB 3x - Adjustable Arm with lock

- IT 1x - Display and fixing Keyboard "V" Mount
- IT 2x - Display and fixing Keyboard "Z" Mount
- IT 3x - Display and Folding Keyboard "Z" Mount

- 1 - Medi-Key Tray
- 2 - Small keyboard Tray
- 3 - Medium Keyboard Tray
- 4 - Large Keyboard Tray

#### Philips

- PH 10 - IntelliVue MP 20-70
- PH 20 - IntelliVue MP 80, 90
- PH 30 - IntelliVue MP2
- PH 40 - IntelliVue MX 800
- PH 50 - SureSigns / Vital Signs

#### Spacelabs

- 1 - Medi-Key Tray
- 2 - Small keyboard Tray
- 3 - Medium Keyboard Tray

#### Fukuda

- 1 - Medi-Key Tray
- 2 - Small keyboard Tray
- 3 - Medium Keyboard Tray

### Trim Color

- 00 - Blue
- 01 - Grey

### Notice

Bytec Healthcare takes reasonable steps to ensure that all technical information and recommendations disclosed in our datasheets, brochures and website are based upon our experience and research, it is provided in good faith. Users shall independently determine the suitability of the products shown for their particular regional requirements and intended use, and will ensure that they meet the relevant regulations for the countries of use, as these may differ greatly from country to country. As such we accept no liability whatsoever for any inaccuracies herein disclosed. Please feel free to contact our technical teams, who would be delighted to advise you on specific regulatory issues. Bytec Healthcare reserves the right to alter, delete or make obsolete any product featured in its brochures, datasheet and website without prior notice. E&OE. © Copyright Bytec Healthcare Limited 2019 NOVOS is a trademark of Bytec Healthcare Ltd.