

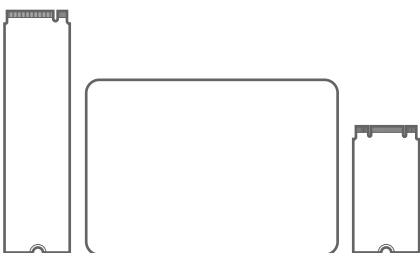
Embedded Solutions

SATA III M.2 SSD

Designed specifically for high-end applications, Transcend's SATA III M.2 SSDs offer ultra compact dimensions, best suited to address the high-performance needs and strict size limitations of small form factor devices. These M.2 SSDs feature cutting-edge technology and quality flash memory for enhanced product lifespan and data retention. With a powerful controller and never-before-seen transfer speeds, the M.2 SSDs easily handle everyday computing tasks as well as demanding multimedia applications.

Features

- Fully compatible with SATA III M.2 SSD standards
- Built-in ECC and Wear-leveling algorithm ensure reliable data transfer
- Supports partial, slumber, and DEVSLP mode
- SuperMLC technology allows MLC NAND to act as SLC NAND
- Optional support for write protect and hardware purge security functions
- DDR3 DRAM cache



Specifications

	MTS400	MTS600/MTS600I	MTS800/MTS800I	MTS860
Interface	SATA III 6Gb/s			
Flash Type	MLC			SuperMLC
Connector	M.2 module notch B+M			
Form Factor	M.2 Type 2242-D2-B-M	M.2 Type 2260-D2-B-M	M.2 Type 2280-D2-B-M	
Capacity	16GB~512GB	32GB~512GB	16GB~1TB	64GB
Sequential Read*	560 MB/s	550 MB/s	560 MB/s	570 MB/s
Sequential Write*	460 MB/s	460 MB/s	460 MB/s	460 MB/s
Operating Temperature	0°C~70°C	0°C~70°C**		0°C~70°C
Storage Temperature	-40°C~85°C			
Humidity	0%~95%			
Shock	1500G, 0.5ms, 3 axis			
Vibration	3G, 5Hz to 800Hz (operating) / 5G, 5Hz to 800Hz (non-operating)			
Operating Voltage	3.3V±5%			
Power Consumption	2.48W (active), 0.48W (idle)	2.5W (active), 0.54W (idle)	2.64W (active), 0.62W (idle)	3.68W (active), 0.5W (idle)
Dimensions (max.)	22.0 x 42.0 x 3.58mm	22.0 x 60.0 x 3.58mm	22.0 x 80.0 x 3.58mm	
MTBF	1,500,000 hours			
Warranty	Three-year Limited Warranty			

*Maximum performance shown. Performance varies by capacity, user hardware, and system configuration.

**Wide temperature (-40°C~85°C) available by request.

Ordering Information

MTS400	TS16GMTS400	16GB	MTS800/ MTS800I	TS16GMTS800	16GB	MTS860	TS64GMTS860	64GB
	TS32GMTS400	32GB		TS16GMTS800I	16GB			
	TS64GMTS400	64GB		TS32GMTS800	32GB			
	TS128GMTS400	128GB		TS32GMTS800I	32GB			
	TS256GMTS400	256GB		TS64GMTS800	64GB			
	TS512GMTS400	512GB		TS64GMTS800I	64GB			
MTS600/ MTS600I	TS32GMTS600	32GB	TS128GMTS800	128GB				
	TS32GMTS600I	32GB	TS128GMTS800I	128GB				
	TS64GMTS600	64GB	TS256GMTS800	256GB				
	TS128GMTS600	128GB	TS256GMTS800I	256GB				
	TS256GMTS600	256GB	TS512GMTS800	512GB				
	TS512GMTS600	512GB	TS512GMTS800I	512GB				
			TS1TMTS800	1TB				
			TS1TMTS800I	1TB				

Other capacities available by request.

Tailored Options Available



Intelligent Power Shield



AES Encryption



Underfill



Conformal Coating



Please feel free to contact us with any special requests you might have.

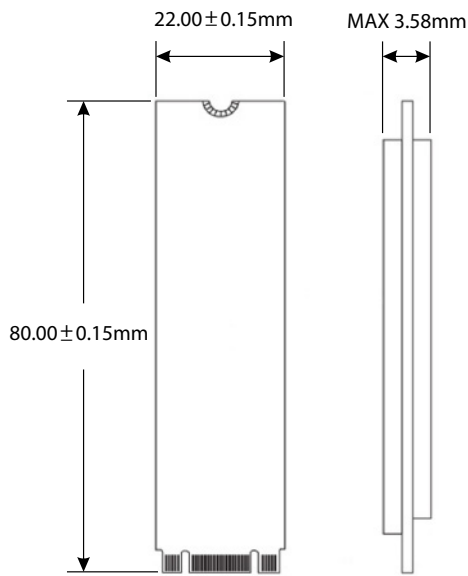
Tel: +886-2-2792-8000

www.transcend-info.com

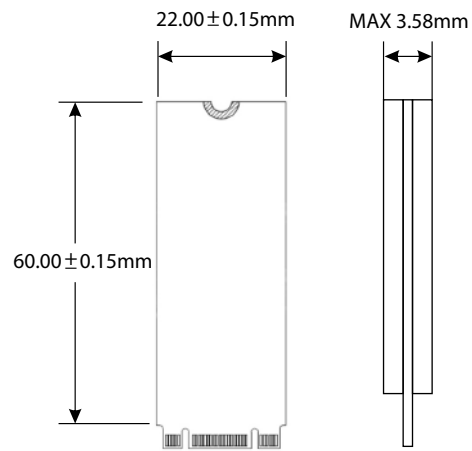


Mechanical Dimensions

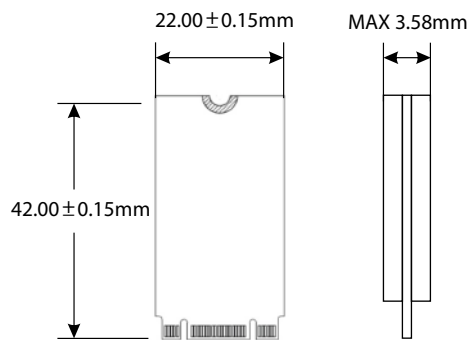
MTS800/MTS800I/MTS860



MTS600/MTS600I



MTS400



Tailored Options Available



Intelligent Power Shield



AES Encryption



Underfill



Conformal Coating

