



Main Features

- ♦ 8" SVGA TFT LCD monitor
- ♦ ultraONE+ technology
- ♦ 10M transmission distance for video input
- ♦ Analog camera x 4 supported
- ♦ One cable only to connect with the system
- ♦ Automatic/Manual brightness control
- ♦ Remote power on/off to system
- ♦ On screen control buttons
- ♦ Display powered from system
- ♦ On screen control buttons
- ♦ Support USB 2.0 type A
- ♦ Sunlight readable solution: 1,000cd/m² (typ.)
- ♦ Front panel compliant with IP54
- ♦ Line-out and Mic-in

Product Overview

VMD 2003 is a 8-inch high-brightness TFT LCD monitor with 4 wire resistive touch, analog cameras x 4 supported and ultraONE+ technology. ultraONE+ technology can help to transmit video and audio content up to 10 meters, which offers the best advantage to solve the cabling issue when implemented into the vehicle with limited space. Unique design to connect with analog cameras x 4 can guarantee drivers to see the video content within 1 second, beneficial for the safety a lot. Besides, there is only one cable between VMD 2003 and Nexcom telematics computer, contributing to solving the cabling issue, saving the implementation cost, and increasing the reliability. VMD 2003 also provides friendly user interface to driver with the advantage of hot keys x 5, IP54 protection and 1,000nits brightness (typ.)

Specifications

General

- ♦ Enclosure: plastic PC + ABS
- ♦ Mounting: support VESA mount: 75mm x 75mm
- ♦ Power input: 24VDC
- ♦ Power consumption: 14W
- ♦ Ingress protection: front panel IP54
- ♦ Dimension: 207mm (W) x 173mm (H) x 36.7mm (D)
(8.15" x 6.81" x 1.44")
- ♦ Weight (net): around 0.8Kg, 1.76Lb

LCD Panel

- ♦ 8-inch TFT LCD panel with LED backlight
- ♦ 800 x 600 pixels (SVGA)
- ♦ Brightness: 1,000 cd/m² (typical)
- ♦ Contrast ratio: 500: 1 (typical)

Touch Screen Sensor

- ♦ 4-wire resistant touch
- ♦ Anti-glare coating surface

I/O Interface-Front

- ♦ On screen display buttons x 5
 - Power on/off
 - Brightness control (+/-)
 - Volume control (+/-)
- ♦ Light sensor
- ♦ 2 x LED indicators
- ♦ 2 x Built-in speakers (1.2W)

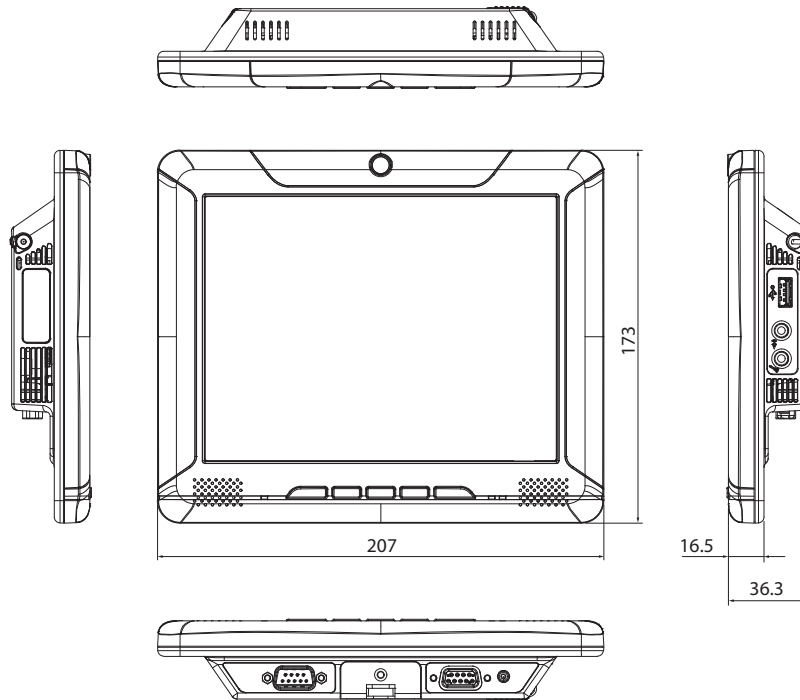
I/O Interface-Lateral

- ♦ 1 x USB type A for storage
- ♦ 1 x Line-out (automatic detection/switch to external speaker)
- ♦ 1 x Mic-in

I/O Interface-Bottom

- ♦ 1 x Remote button to power on/off the system
- ♦ 1 x DB9 (male, integrating USB, power, video, audio and DO) to connect with the system
- ♦ 1 x DB9 (female) for analog camera x 4 (CVBS)

Dimension Drawing



Environment

- Operating temperature: -20°C to 60°C
- Storage temperature: -30°C to 70°C
- Vibration (random): 2.5g@5 ~ 500 Hz
- Vibration
 - Operating: MIL-STD-810G, 514.6 Procedure 1, Category 4, Ground Vehicle – Highway Truck
 - Storage: MIL-STD-810G, 514.6 Procedure 1, Category 4, Integrity Test
- Shock
 - Operating: MIL-STD-810G, Method 516.6, Procedure I, Trucks and semi-trailers=40g
- Crash hazard: MIL-STD-810G, Method 516.6, Procedure V, Ground equipment=75g

Standards/Certifications

- CE approval
- FCC Class B

Ordering Information

- **VMD 2003 (P/N: 10VD0200300X0)**
VMD 2003-BS 8" 800 x 600 Vehicle Display 1000nits w/CVBS x 4

Accessories

- **BNC x 4 Cable (P/N: 6030000291X00)**
30cm for VMD2003
- **ultraONE+ Cable (DB9)(P/N: 6030000289X00)**
5M for VMD2003
- **ultraONE+ cable (DB9) (P/N: 6030000290X00)**
10M for VMD2003