



Main Features

- 6th generation Intel® Atom™ x7-E3950 processor
- Triple video output (HDMI/DP support 4K2K resolution)
- Compact and slim design (H: 21.5mm)
- Wide temperature support
- Supports W-Fi, GPS, and 3G module
- Fanless design

Product Overview

Powered by new generation Intel® Atom™ x7-E3950 processor, NDiS B336R series digital signage player can handle very rich multimedia contents. With Intel® processor low power consumption feature, In addition, the 6th generation Intel® Core™ processors deliver significant improvements up to two and a half times the performance in graphics offering stunning visuals for compelling 4K content creation and media playback. NDiS B336R series supports display output by HDMI and DP ports is ideal as entry level digital signage player, NDiS B336R series The slim/fanless design with wide temperature durability further extends to semi-outdoor usage like QSR drive through kiosks, box office displays, information stands, bus stops, or digital transit information signs. It is also ideal as a digital signage player delivering enhanced performance and new immersive experiences for advertising, hospitality and brand promotion applications.

Specifications

CPU Support

- Quad core Intel® Atom™ x7-E3950 processor, 2.0GHz

Chipset

- SoC (codenamed Apollo Lake-I)

Graphics

- Intel® HD Graphics 500 series

Main Memory

- 2 x 204-pin SO-DIMM socket, supports DDR3L 1600MHz non-ECC, Un-buffered memory up to 16GB

I/O Interface-Front

- 1 x 19V DC in
- 1 x DB9 for RS-232
- 1 x RJ45 with LEDs 10/100/1000Mbps Ethernet
- 2 x USB3.0
- 1 x Display Port
- 2 x HDMI Port
- 1 x HDD LED
- 1 x Power Switch

I/O Interface-Rear

- 2 x Antenna Hole for Wi-Fi or TV Tuner
- 3 x USB3.0
- 1 x Audio-out
- 1 x MIC-in

Storage

- 1 x SATA 2.5"

Expansion

- 1 x mini-PCIe slot (full size)
- 1 x NGFF (M.2) 2230 for optional WLAN
- 1 x SIM Slot

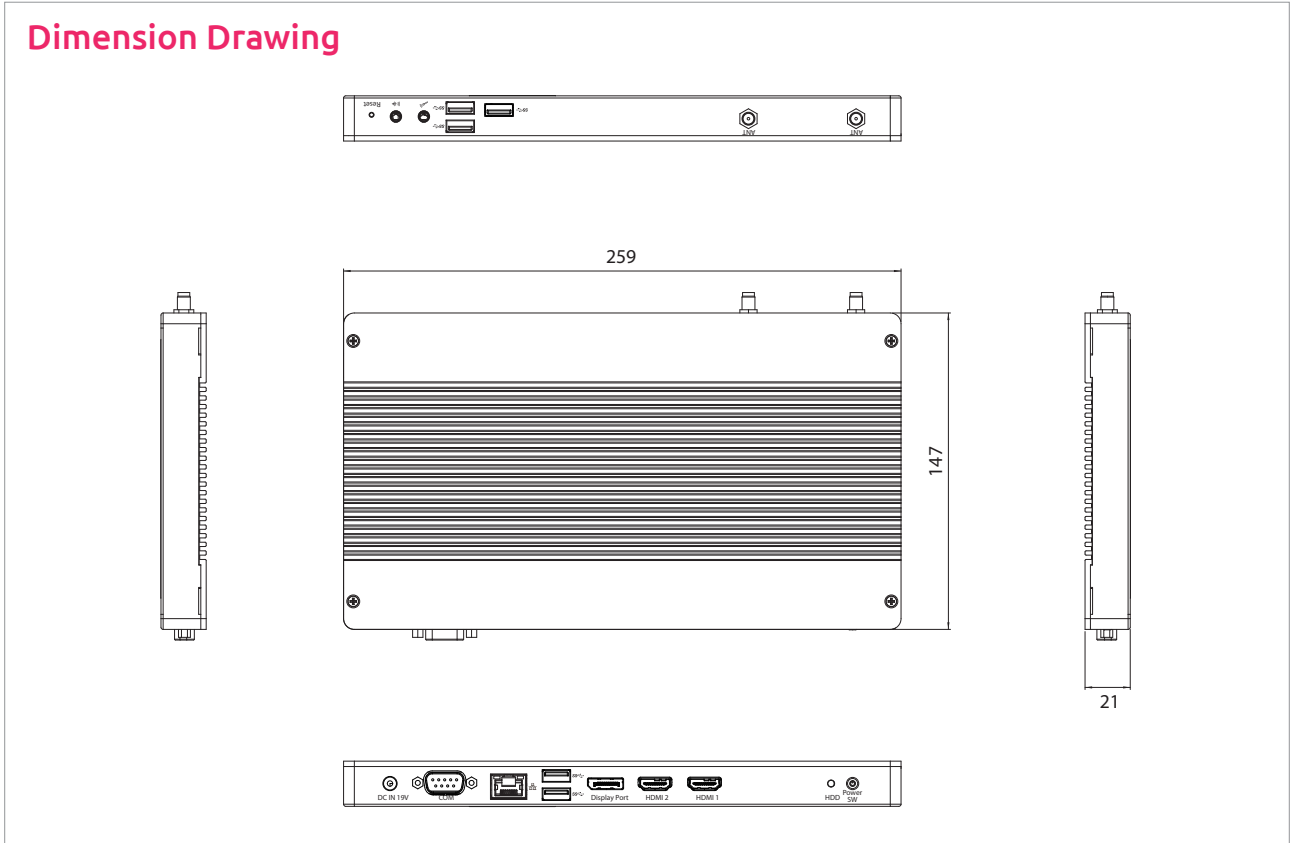
Power Supply

- 1 x external 63W AC/DC power adapter
- Input: 100VAC to 240VAC
- Output: DC+19VDC

Environment

- Operating temperature: -10°C to 60°C (SSD) ; 0°C to 40°C (HDD)
- Storage temperature: -25°C to 80°C
- Humidity: 10 to 90% (non-condensing)

Dimension Drawing



Certification

- CE approval
- FCC Class A

Dimensions

- 259mm (W) x 147mm (D) x 21mm (H)

Operating System

- Win10/Linux

Ordering Information

- **NDiS B336R (P/N: 10W00B33600X0)**

Quad core Intel® Atom™ x7-E3950 slim and fanless system